
ULi's K8 Single Chipset M1689

ULi Product Marketing
February 26, 2004

Agenda

- ❑ ULi's K8 Chipset Roadmap
- ❑ M1689 System architecture
- ❑ Main Features of M1689
- ❑ Advantages
- ❑ Competitors information
- ❑ Collaterals Schedule



ULi's K8 Chipset Roadmap

Standalone

Two Chips



Single Chip



PCI E Tunnel Chipset

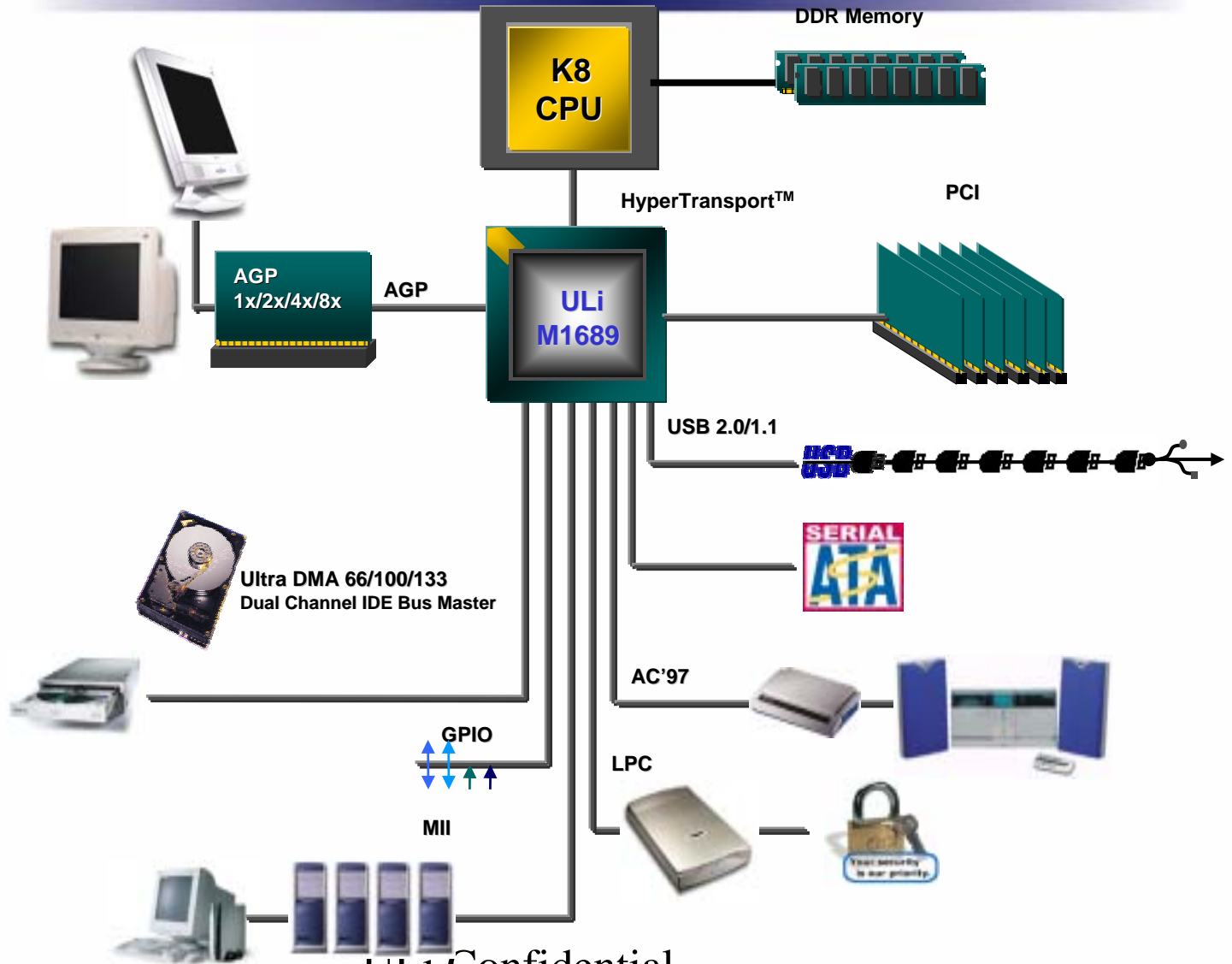


PCI E Single Chipset





M1689 System Architecture



ULi Confidential

Main features of M1689 (1/2)

- ❑ Support all AMD Hammer CPUs
 - ❑ Opteron(S940), Athlon 64 FX(S940), S939 CPU
 - ❑ Athlon 64(S754), Athlon 64(S939), Mobile Athlon 64, DTR,.....
- ❑ AGP8X
 - ❑ AGP 2.0/3.0
- ❑ USB 2.0/1.1
 - ❑ 1 *EHCI / 3 *OHCI Host Controllers
 - ❑ 8 ports
- ❑ SATA
 - ❑ 2 ports
 - ❑ Scalable Performance for the next decade
 - ❑ Smaller, thinner, cables, longer cables,....

Main features of M1689 (2/2)

- ❑ PATA
 - ❑ 2 Channel, 4 devices
 - ❑ ATA 66/ 100/ 133
- ❑ Integrated 10/100M Mac
 - ❑ MII interface
- ❑ Low Pin Count Interface (LPC)
 - ❑ Rev 1.0
- ❑ TCG Rev 1.1 Security
 - ❑ Support TPM Rev.1.2
 - ❑ Private ROM Access
- ❑ Raid 0, 1

Advantages

- ❑ Single-Chip solution delivers maximum performance with the lowest latency.
- ❑ Single-Chip provided less power consumption and heat dissipation.
 - ❑ Good for low power design.
- ❑ High Integration
 - ❑ 8XAGP,
 - ❑ 2 * SATA,
 - ❑ 2 * PATA,
 - ❑ 10/100M Mac,
 - ❑ 8 * USB 2.0,.....
- ❑ Reduced PCB board size.



Competitors Information

	ULi M1689	nVidia nForce 3 Pro	SiS 755/964	Via K8T800
Chipset	Single	Single	Two Chips	Two Chips
HyperTransport Bus	@ 800MHz	16 x 8 @ 600MHz	@ 800MHz	@ 800MHz
PATA	100/133	100/133	100/133	100/133
SATA	Yes	No	Yes	Yes
USB 2.0	8	6	8	8
K8 PowerNow!	Yes	Yes	Yes	Yes
Security	Yes	Yes	No	No
10/100Mb LAN Mac	Yes	Yes	Yes	Yes

Collaterals Schedule

- M1689
 - Engineering Sample : Now
- Board Design Guide : Ready Now
- Reference Schematic : Ready Now
- Data Sheet : Ready Now
- Product Brief : Ready Now
- Reference Board : Now
- Design Kits is Ready from ULi FTP server