



FW322 1394A PCI PHY/Link Open Host Controller Interface

Features

- 1394a-2000 OHCI link and PHY core function in single device:
 - Enables smaller, simpler, more efficient motherboard and add-in card designs by replacing two components with one
 - Enables lower system costs
 - Leverages proven 1394a-2000 PHY core design
 - Demonstrated compatibility with current *Microsoft Windows** drivers and common applications
 - Demonstrated interoperability with existing, as well as older, 1394 consumer electronics and peripherals products
 - Feature-rich implementation for high performance in common applications
 - Supports low-power system designs (CMOS implementation, power management features)
 - Provides LPS, LKON, and CNA outputs to support legacy power management implementations
- OHCI:
 - Complies with 1394 OHCI specification revision 1.0
 - Supports the following 1394 OHCI revision 1.1 features:
 - Isochronous receive dual-buffer mode.
 - Enhanced isochronous transmit skip/overflow support.
 - `ack_data_error` improvements for asynchronous and physical requests.
 - Enhanced CSR control register implementation.
 - Autonomous configuration ROM updates.
 - Enhanced power management support, including `ack_tardy` event.
 - Enhanced SelfID protocol, including `selfIDComplete2` event.
 - Compatible with *Microsoft* OHCI, DV, and SBP-2 driver stack in W98, W98SE, W2000, and *MacOS*† operating system
 - 4 Kbyte isochronous transmit FIFO
 - 2 Kbyte asynchronous transmit FIFO
 - 4 Kbyte isochronous receive FIFO
 - 2 Kbyte asynchronous receive FIFO
 - Dedicated asynchronous and isochronous descriptor-based DMA engines
 - Eight isochronous transmit contexts
 - Eight isochronous receive contexts
 - Prefetches isochronous transmit data
 - Supports posted write transactions
- 1394a-2000 PHY core:
 - Compliant with *IEEE*‡ 1394a-2000, *Standard for a High Performance Serial Bus* (Supplement)
 - Provides two fully compliant cable ports each supporting 400 Mbits/s, 200 Mbits/s, and 100 Mbits/s traffic
 - Supports extended BIAS_HANDSHAKE time for enhanced interoperability with camcorders
 - While unpowered and connected to the bus, will not drive TPBIAS on a connected port even if receiving incoming bias voltage on that port
 - Does not require external filter capacitor for PLL
 - Supports PHY core-link interface initialization and reset
 - Supports link-on as a part of the internal PHY core-link interface
 - 25 MHz crystal oscillator and internal PLL provide transmit/receive data at 100 Mbits/s, 200 Mbits/s, and 400 Mbits/s, and internal link-layer controller clock at 50 MHz
 - Interoperable across 1394 cable with 1394 physical layers (PHY core) using 5 V supplies
 - Node power-class information signaling for system power management
 - Supports ack-accelerated arbitration and fly-by concatenation
 - Supports arbitrated short bus reset to improve utilization of the bus
 - Fully supports suspend/resume
 - Supports connection debounce
 - Supports multispeed packet concatenation
 - Supports PHY pinging and remote PHY access packets
 - Reports cable power fail interrupt when voltage at CPS pin falls below 7.5 V
 - Separate cable bias and driver termination voltage supply for each port
- Link:
 - Cycle master and isochronous resource manager capable
 - Supports 1394a-2000 acceleration features

* *Microsoft* and *Windows* are registered trademarks of Microsoft Corporation.

† *MacOS* is a registered trademark of Apple Computer, Inc.

‡ *IEEE* is a registered trademark of The Institute of Electrical and Electronics Engineers, Inc.

Table of Contents

Contents	Page
Features	1
FW322 Functional Overview	7
Other Features	7
FW322 Functional Description	7
PCI Core	7
Isochronous Data Transfer	8
Asynchronous Data Transfer	8
Asynchronous Register	8
Link Core	9
PHY Core	9
Pin Information	12
Application Schematic	17
Internal Registers	19
PCI Configuration Registers	19
Vendor ID Register	20
Device ID Register	21
PCI Command Register	22
PCI Status Register	24
Class Code and Revision ID Register	25
Latency Timer and Class Cache Line Size Register	26
Header Type and BIST Register	27
OHCI Base Address Register	29
PCI Subsystem Identification Register	31
PCI Power Management Capabilities Pointer Register	31
Interrupt Line and Pin Register	32
MIN_GNT and MAX_LAT Register	33
PCI OHCI Control Register	34
Capability ID and Next Item Pointer Register	36
Power Management Capabilities Register	37
Power Management Control and Status Register	39
Power Management Extension Register	41
OHCI Registers	42
OHCI Version Register	45
GUID ROM Register	47
Asynchronous Transmit Retries Register	49
CSR Data Register	51
CSR Compare Register	53
CSR Control Register	55
Configuration ROM Header Register	57
Bus Identification Register	59
Bus Options Register	61
GUID High Register	63
GUID Low Register	65
Configuration ROM Mapping Register	67
Posted Write Address Low Register	69
Posted Write Address High Register	71
Vendor ID Register	73
Host Controller Control Register	75
Self-ID Count Register	79
Isochronous Receive Channel Mask High Register	81
Isochronous Receive Channel Mask Low Register	83

Table of Contents (continued)

Contents	Page
Interrupt Event Register	85
Interrupt Mask Register	88
Isochronous Transmit Interrupt Event Register	90
Isochronous Transmit Interrupt Mask Register	92
Isochronous Receive Interrupt Event Register	93
Isochronous Receive Interrupt Mask Register	95
Fairness Control Register	96
Link Control Register	98
Node Identification Register	100
PHY Core Layer Control Register	102
Isochronous Cycle Timer Register	104
Asynchronous Request Filter High Register	106
Asynchronous Request Filter Low Register	109
Physical Request Filter High Register	112
Physical Request Filter Low Register	115
Asynchronous Context Control Register	118
Asynchronous Context Command Pointer Register	120
Isochronous Transmit Context Control Register	122
Isochronous Transmit Context Command Pointer Register	124
Isochronous Receive Context Control Register	126
Isochronous Receive Context Command Pointer Register	128
Isochronous Receive Context Match Register	130
FW322 Vendor-Specific Registers	132
Isochronous DMA Control	133
Asynchronous DMA Control	134
Link Options	135
Crystal Selection Considerations	137
Load Capacitance	137
Board Layout	137
Electrical Characteristics	138
Timing Characteristics	140
Internal Register Configuration	141
PHY Core Register Map for Cable Environment	141
PHY Core Register Fields for Cable Environment	142
Outline Diagrams	147
120-Pin TQFP	147
 Figure	 Page
Figure 1. FW322 Functional Block Diagram	7
Figure 2. PHY Core Block Diagram	11
Figure 3. Pin Assignments for FW322	12
Figure 4. Application Schematic for FW322	18

Table of Contents (continued)

Table	Page
Table 1. Pin Descriptions	13
Table 2. Bit-Field Access Tag Description	19
Table 3. PCI Configuration Register Map	19
Table 4. Vendor ID Register	20
Table 5. Device ID Register	21
Table 6. PCI Command Register	22
Table 7. PCI Command Register Description	23
Table 8. PCI Status Register	24
Table 9. Class Code and Revision ID Register	25
Table 10. Class Code and Revision ID Register Description	26
Table 11. Latency Timer and Class Cache Line Size Register	26
Table 12. Latency Timer and Class Cache Line Size Register Description	27
Table 13. Header Type and BIST Register	27
Table 14. Header Type and BIST Register Description	28
Table 15. OHCI Base Address Register	29
Table 16. OHCI Base Address Register Description	30
Table 17. PCI Subsystem Identification Register Description	31
Table 18. PCI Power Management Capabilities Pointer Register	31
Table 19. Interrupt Line and Pin Register	32
Table 20. Interrupt Line and Pin Register Description	32
Table 21. MIN_GNT and MAX_LAT Register	33
Table 22. MIN_GNT and MAX_LAT Register Description	33
Table 23. PCI OHCI Control Register	34
Table 24. PCI OHCI Control Register Description	35
Table 25. Capability ID and Next Item Pointer Register	36
Table 26. Capability ID and Next Item Pointer Register Description	36
Table 27. Power Management Capabilities Register	37
Table 28. Power Management Capabilities Register Description	38
Table 29. Power Management Control and Status Register	39
Table 30. Power Management Control and Status Register Description	40
Table 31. Power Management Extension Register	41
Table 32. Power Management Extension Register Description	41
Table 33. OHCI Register Map	42
Table 34. OHCI Version Register	45
Table 35. OHCI Version Register Description	46
Table 36. GUID ROM Register	47
Table 37. GUID ROM Register Description	48
Table 38. Asynchronous Transmit Retries Register	49
Table 39. Asynchronous Transmit Retries Register Description	50
Table 40. CSR Data Register	51
Table 41. CSR Data Register Description	52
Table 42. CSR Compare Register	53
Table 43. CSR Compare Register Description	54
Table 44. CSR Control Register	55
Table 45. CSR Control Register Description	56
Table 46. Configuration ROM Header Register	57
Table 47. Configuration ROM Header Register Description	58
Table 48. Bus Identification Register	59
Table 49. Bus Identification Register Description	60
Table 50. Bus Options Register	61
Table 51. Bus Options Register Description	62

Table of Contents (continued)

Table	Page
Table 52. GUID High Register	63
Table 53. GUID High Register Description	64
Table 54. GUID Low Register	65
Table 55. GUID Low Register Description	66
Table 56. Configuration ROM Mapping Register	67
Table 57. Configuration ROM Mapping Register Description	68
Table 58. Posted Write Address Low Register	69
Table 59. Posted Write Address Low Register Description	70
Table 60. Posted Write Address High Register	71
Table 61. Posted Write Address High Register Description	72
Table 62. Vendor ID Register	73
Table 63. Vendor ID Register Description	74
Table 64. Host Controller Control Register	75
Table 65. Host Controller Control Register Description	76
Table 66. Self-ID Buffer Pointer Register	77
Table 67. Self-ID Buffer Pointer Register Description	78
Table 68. Self-ID Count Register	79
Table 69. Self-ID Count Register Description	80
Table 70. Isochronous Receive Channel Mask High Register	81
Table 71. Isochronous Receive Channel Mask High Register Description	82
Table 72. Isochronous Receive Channel Mask Low Register	83
Table 73. Isochronous Receive Channel Mask Low Register Description	84
Table 74. Interrupt Event Register	85
Table 75. Interrupt Event Register Description	86
Table 76. Interrupt Mask Register	88
Table 77. Interrupt Mask Register Description	89
Table 78. Isochronous Transmit Interrupt Event Register	90
Table 79. Isochronous Transmit Interrupt Event Register Description	91
Table 80. Isochronous Transmit Interrupt Mask Register	92
Table 81. Isochronous Receive Interrupt Event Register	93
Table 82. Isochronous Receive Interrupt Event Description	94
Table 83. Isochronous Receive Interrupt Mask Register	95
Table 84. Fairness Control Register	96
Table 85. Fairness Control Register Description	97
Table 86. Link Control Register	98
Table 87. Link Control Register Description	99
Table 88. Node Identification Register	100
Table 89. Node Identification Register Description	101
Table 90. PHY Core Layer Control Register	102
Table 91. PHY Core Layer Control Register Description	103
Table 92. Isochronous Cycle Timer Register	104
Table 93. Isochronous Cycle Timer Register Description	105
Table 94. Asynchronous Request Filter High Register	106
Table 95. Asynchronous Request Filter High Register Description	107
Table 96. Asynchronous Request Filter Low Register	109
Table 97. Asynchronous Request Filter Low Register Description	110
Table 98. Physical Request Filter High Register	112
Table 99. Physical Request Filter High Register Description	113
Table 100. Physical Request Filter Low Register	115
Table 101. Physical Request Filter Low Register Description	116
Table 102. Asynchronous Context Control Register	118

Table of Contents (continued)

Table	Page
Table 103. Asynchronous Context Control Register Description	119
Table 104. Asynchronous Context Command Pointer Register	120
Table 105. Asynchronous Context Command Pointer Register Description	121
Table 106. Isochronous Transmit Context Control Register	122
Table 107. Isochronous Transmit Context Control Register Description	123
Table 108. Isochronous Transmit Context Command Pointer Register	124
Table 109. Isochronous Transmit Context Command Pointer Register Description	125
Table 110. Isochronous Receive Context Control Register	126
Table 111. Isochronous Receive Context Control Register Description	127
Table 112. Isochronous Receive Context Command Pointer Register	128
Table 113. Isochronous Receive Context Command Pointer Register Description	129
Table 114. Isochronous Receive Context Match Register	130
Table 115. Isochronous Receive Context Match Register Description	131
Table 116. FW322 Vendor-Specific Registers Description	132
Table 117. Isochronous DMA Control Registers Description	133
Table 118. Asynchronous DMA Control Registers Description	134
Table 119. Link Registers Description	135
Table 120. ROM Format Description	136
Table 121. Analog Characteristics	138
Table 122. Driver Characteristics	139
Table 123. Device Characteristics	139
Table 124. Switching Characteristics	140
Table 125. Clock Characteristics	140
Table 126. PHY Core Register Map for the Cable Environment	141
Table 127. PHY Core Register Fields for Cable Environment	142
Table 128. PHY Core Register Page 0: Port Status Page	144
Table 129. PHY Core Register Port Status Page Fields	145
Table 130. PHY Core Register Page 1: Vendor Identification Page	146
Table 131. PHY Core Register Vendor Identification Page Fields	146

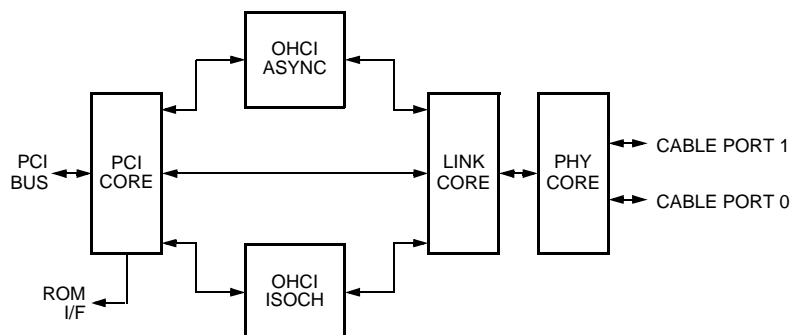
FW322 Functional Overview

- PCI:
 - Revision 2.2 compliant
 - 33 MHz/32-bit operation
 - Programmable burst size for PCI data transfer
 - Supports PCI Bus Power Management Interface specification v.1.1
 - Supports clockrun protocol per PCI Mobile Design Guide
 - Global byte swap function

Other Features

- I²C serial ROM interface
- CMOS process
- 3.3 V operation, 5 V tolerant inputs
- 120-pin TQFP package

The FW322 is the Lucent Technologies Microelectronics Group implementation of a high-performance, PCI bus-based open host controller for implementation of *IEEE* 1394a-2000 compliant systems and devices. Link-layer functions are handled by the FW322, utilizing the on-chip 1394a-2000 compliant link core and physical layer core. A high-performance and cost-effective solution for connecting and servicing multiple *IEEE* 1394 (both 1394-1995 and 1394a-2000) peripheral devices can be realized.



5-6250 (F)

Figure 1. FW322 Functional Block Diagram

FW322 Functional Description

The FW322 is comprised of five major functional sections (see Figure 1): PCI core, isochronous data transfer, asynchronous data transfer, link core, and PHY core. The following is a general description of each of the five major sections.

PCI Core

The PCI core serves as the interface to the PCI bus. It contains the state machines that allow the FW322 to respond properly when it is the target of the transaction. During 1394 packet transmission or reception, the PCI core arbitrates for the PCI bus and enables the FW322

to become the bus master for reading the different buffer descriptors and management of the actual data transfers to/from host system memory.

The PCI core also supports the PCI Bus Power Management Interface specification v.1.1. Included in this support is a standard power management register interface accessible through the PCI configuration space. Through this register interface, software is able to transition the FW322 into four distinct power consumption states (D0, D1, D2, and D3). This permits software to selectively increase/decrease the power consumption of the FW322 for reasons such as periods of system inactivity or power conservation. In addition, the FW322 also includes support for hardware wake-up mechanisms through power management events (PMEs). When the FW322 is in a low-power state,

FW322 Functional Description (continued)

PMEs provide a hardware mechanism for requesting a software wake-up. Together, the power management register interface and PME support within the FW322 combine to form an efficient means for implementing power management.

Isochronous Data Transfer

The isochronous data transfer logic handles the transfer of isochronous data between the link core and the PCI interface module. It consists of the isochronous register module, the isochronous transmit DMA module, the isochronous receive DMA module, the isochronous transmit FIFO, and the isochronous receive FIFO.

Isochronous Register

The isochronous register module operates on PCI slave accesses to OHCI registers within the isochronous block. The module also maintains the status of interrupts generated within the isochronous block and sends the isochronous interrupt status to the OHCI interrupt handler block.

Isochronous Transmit DMA (ITDMA)

The isochronous transmit DMA module moves data from host memory to the link core, which will then send the data to the 1394 bus. It consists of isochronous contexts, each of which is independently controlled by software, and can send data on a 1394 isochronous channel.

During each 1394 isochronous cycle, the ITDMA module will service each of the contexts and attempt to process one 1394 packet for each context. If a context is active, ITDMA will request access to the PCI bus. When granted PCI access, a descriptor block is fetched from host memory. This data is decoded by ITDMA to determine how much data is required and where in host memory the data resides. ITDMA initiates another PCI access to fetch this data, which is placed into the transmit FIFO for processing by the link core. If the context is not active, it is skipped by ITDMA for the current cycle.

After processing each context, ITDMA writes a cycle marker word in the transmit FIFO to indicate to the link core that there is no more data for this isochronous cycle.

As a summary, the major steps for the FW322 ITDMA to transmit a packet are the following:

1. Fetch a descriptor block from host memory.
2. Fetch data specified by the descriptor block from host memory, and place it into the isochronous transmit FIFO.
3. Data in FIFO is read by the link and sent to the PHY core device interface.

Isochronous Receive DMA (IRDMA)

The isochronous receive DMA module moves data from the receive FIFO to host memory. It consists of isochronous contexts, each of which is independently controlled by software. Normally, each context can process data on a single 1394 isochronous channel. However, software can select one context to receive data on multiple channels.

When IRDMA detects that the link core has placed data into the receive FIFO, it immediately reads out the first word in the FIFO, which makes up the header of the isochronous packet. IRDMA extracts the channel number for the packet and packet filtering controls from the header. This information is compared with the control registers for each context to determine if any context is to process this packet.

If a match is found, IRDMA will request access to the PCI bus. When granted PCI access, a descriptor block is fetched from host memory. The descriptor provides information about the host memory block allocated for the incoming packet. IRDMA then reads the packet from the receive FIFO and writes the data to host memory via the PCI bus.

If no match is found, IRDMA will read the remainder of the packet from the receive FIFO, but not process the data in any way.

Asynchronous Data Transfer

The ASYNC block is functionally partitioned into two independent logic blocks for transmitting and receiving 1394 packets. The ASYNC_TX unit is responsible for packet transmission while the ASYNC_RX unit processes received data.

Asynchronous Register

The asynchronous register module operates on PCI slave accesses to OHCI registers within the asynchronous block. The module also maintains the status of interrupts generated within the asynchronous block and

FW322 Functional Description (continued)

sends the asynchronous interrupt status to the OHCI interrupt handler block.

Asynchronous Transmit (ASYNC_TX)

The ASYNC_TX block of the FW322 manages the asynchronous transmission of either request or response packets. The mechanism for asynchronous transmission of requests and responses are similar. The only difference is the system memory location of the buffer descriptor list when processing the two contexts. Therefore, the discussion below, which is for asynchronous transmit requests, parallels that of the asynchronous transmit response. The FW322 asynchronous transmission of packets involves the following steps:

1. Fetch complete buffer descriptor block from host memory.
2. Get data from system memory and store into async FIFO.
3. Request transfer of data from FIFO to link device.
4. Handle retries, if any.
5. Handle errors in steps 1 to 4.
6. End the transfer if there are no errors.

Asynchronous Receive (ASYNC_RX)

The ASYNC_RX block of the FW322 manages the processing of received packets. Data packets are parsed and stored in a dedicated asynchronous receive FIFO. Command descriptors are read through the PCI interface to determine the disposition of the data arriving through the 1394 link.

The header of the received packet is processed to determine, among other things, the following:

1. The type of packet received.
2. The source and destinations.
3. The data and size, if any.
4. The operation required, if any. For example, compare and swap operation.

The ASYNC block also handles DMA transfers of self-ID packets during the 1394 bus initialization phase and block transactions associated with physical request.

Link Core

It is the responsibility of the link to ascertain if a received packet is to be forwarded to the OHCI for processing. If so, the packet is directed to a proper

inbound FIFO for either the isochronous block or the asynchronous block to process. The link is also responsible for CRC generation on outgoing packets and CRC checking on receiving packets.

To become aware of data to be sent outbound on 1394 bus, the link must monitor the OHCI FIFOs looking for packets in need of transmission. Based on data received from the OHCI block, the link will form packet headers for the 1394 bus. The link will alert the PHY core as to the availability of the outbound data. It is the link's function to generate CRC for the outbound data. The link also provides PHY core register access for the OHCI.

PHY Core

The PHY core provides the analog physical layer functions needed to implement a two-port node in a cable-based *IEEE* 1394-1995 and *IEEE* 1394a-2000 network.

Each cable port incorporates two differential line transceivers. The transceivers include circuitry to monitor the line conditions as needed for determining connection status, for initialization and arbitration, and for packet reception and transmission. The PHY core interfaces with the link core.

The PHY core requires either an external 24.576 MHz crystal or crystal oscillator. The internal oscillator drives an internal phase-locked loop (PLL), which generates the required 400 MHz reference signal. The 400 MHz reference signal is internally divided to provide the 49.152 MHz, 98.304 MHz, and 196.608 MHz clock signals that control transmission of the outbound encoded strobe and data information. The 49.152 MHz clock signal is also supplied to the associated LLC for synchronization of the two chips and is used for resynchronization of the received data.

The PHY/link interface is a direct connection and does not provide isolation.

Data bits to be transmitted through the cable ports are received from the LLC on two, four, or eight data lines (D[0:7]), and are latched internally in the PHY in synchronization with the 49.152 MHz system clock. These bits are combined serially, encoded, and transmitted at 98.304 Mbits/s, 196.608 Mbits/s, or 393.216 Mbits/s as the outbound data-strobe information stream. During transmission, the encoded data information is transmitted differentially on the TPA and TPB cable pair(s).

During packet reception, the TPA and TPB transmitters of the receiving cable port are disabled, and the receivers for that port are enabled. The encoded data information is received on the TPA and TPB cable pair. The received data-strobe information is decoded to

FW322 Functional Description (continued)

recover the receive clock signal and the serial data bits. The serial data bits are split into two, four, or eight parallel streams, resynchronized to the local system clock, and sent to the associated LLC. The received data is also transmitted (repeated) out of the other active (connected) cable ports.

Both the TPA and TPB cable interfaces incorporate differential comparators to monitor the line states during initialization and arbitration. The outputs of these comparators are used by the internal logic to determine the arbitration status. The TPA channel monitors the incoming cable common-mode voltage. The value of this common-mode voltage is used during arbitration to set the speed of the next packet transmission. In addition, the TPB channel monitors the incoming cable common-mode voltage for the presence of the remotely supplied twisted-pair bias voltage. This monitor is called bias-detect.

The TPBIAS circuit monitors the value of incoming TPA pair common-mode voltage when local TPBIAS is inactive. Because this circuit has an internal current source and the connected node has a current sink, the monitored value indicates the cable connection status. The monitor is called connect-detect.

Both the TPB bias-detect monitor and TPBIAS connect-detect monitor are used in suspend/resume signaling and cable connection detection.

The PHY core provides a 1.86 V nominal bias voltage for driver load termination. This bias voltage, when seen through a cable by a remote receiver, indicates the presence of an active connection. The value of this bias voltage has been chosen to allow interoperability between transceiver chips operating from 5 V or 3 V nominal supplies. This bias voltage source should be stabilized by using an external filter capacitor of approximately 0.33 μF .

The port transmitter circuitry and the receiver circuitry are disabled when the port is disabled, suspended, or disconnected.

The line drivers in the PHY core operate in a high-impedance current mode and are designed to work with external 112 Ω line-termination resistor networks. One network is provided at each end of each twisted-pair cable. Each network is composed of a pair of series-connected 56 Ω resistors. The midpoint of the pair of resistors that is directly connected to the twisted-pair A (TPA) signals is connected to the TPBIAS voltage signal. The midpoint of the pair of resistors that is directly connected to the twisted-pair B (TPB) signals is coupled to ground through a parallel RC network with recommended resistor and capacitor values of 5 k Ω

and 220 pF, respectively. The value of the external resistors are specified to meet the draft standard specifications when connected in parallel with the internal receiver circuits.

The driver output current, along with other internal operating currents, is set by an external resistor. This resistor is connected between the R0 and R1 signals and has a value of 2.49 k $\Omega \pm 1\%$.

Four signals are used as inputs to set four configuration status bits in the self-identification (self-ID) packet. These signals are hardwired high or low as a function of the equipment design. PC[0:2] are the three signals that indicate either the need for power from the cable or the ability to supply power to the cable. The fourth signal (CONTENDER) as an input indicates whether a node is a contender for bus manager. When the CONTENDER signal is asserted, it means the node is a contender for bus manager. When the signal is not asserted, it means that the node is not a contender. The contender bit corresponds to bit 20 in the self-ID packet, PC0 corresponds to bit 21, PC1 corresponds to bit 22, and PC2 corresponds to bit 23 (see Table 4-29 of the *IEEE* 1394-1995 standard for additional details).

When the power supply of the PHY core is removed while the twisted-pair cables are connected, the PHY core transmitter and receiver circuitry has been designed to present a high impedance to the cable in order to not load the TPBIAS signal voltage on the other end of the cable.

For reliable operation, the TPBn signals must be terminated using the normal termination network regardless of whether a cable is connected to port or not connected to a port. For those applications, when FW322 is used with one or more of the ports not brought out to a connector, those unused ports may be left unconnected without normal termination. When a port does not have a cable connected, internal connect-detect circuitry will keep the port in a disconnected state.

Note: All gap counts on all nodes of a 1394 bus must be identical. This may be accomplished by using PHY core configuration packets (see Section 4.3.4.3 of *IEEE* 1394-1995 standard) or by using two bus resets, which resets the gap counts to the maximum level (3Fh).

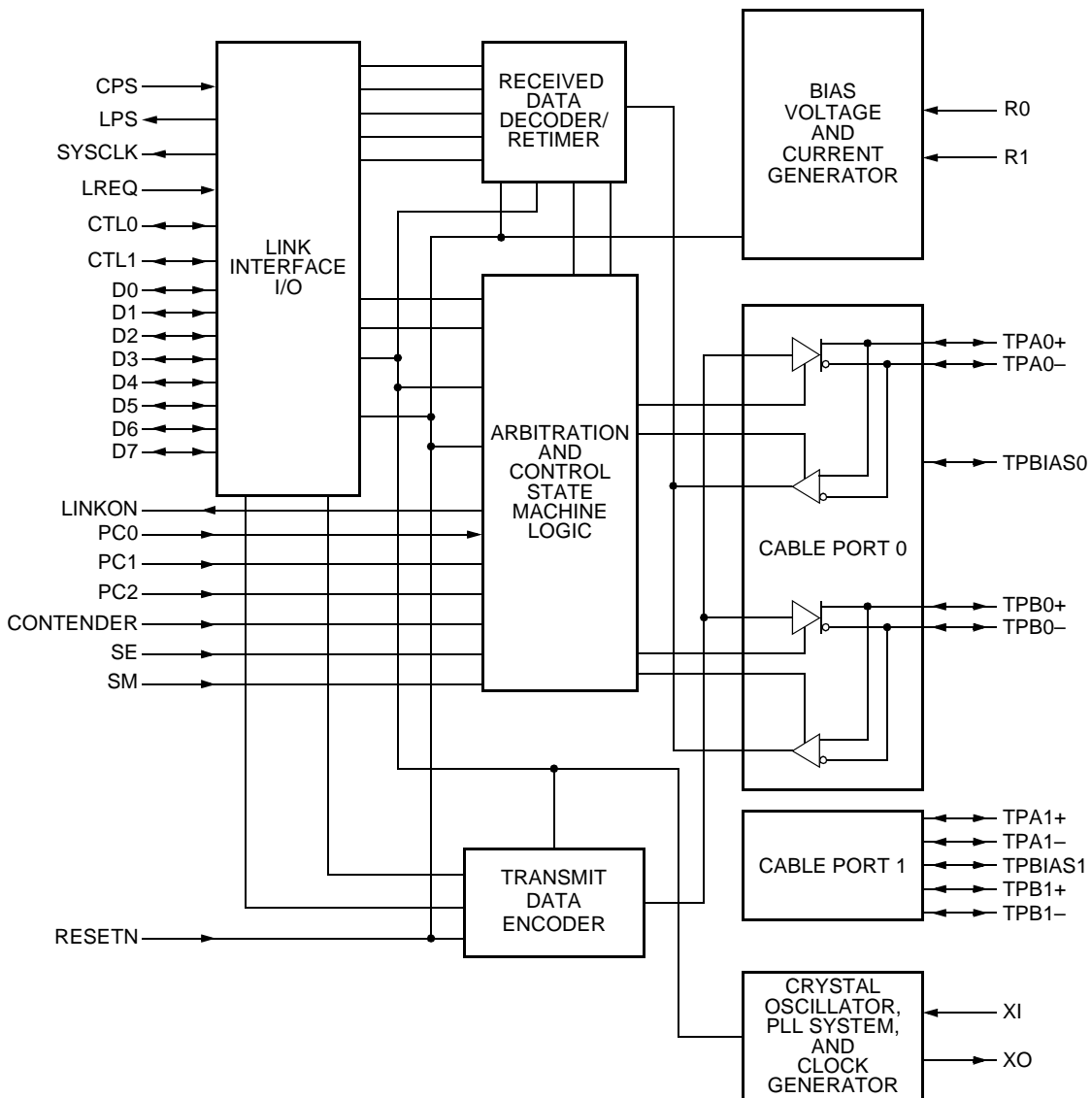
The internal link power status (LPS) signal works with the internal LinkOn signal to manage the LLC power usage of the node. The LPS signal indicates that the LLC of the node is powered up or down. If LPS is inactive for more than 1.2 μs and less than 25 μs , the internal PHY/link interface is reset.

If LPS is inactive for greater than 25 μs , the PHY will disable the internal PHY/link interface to save power.

FW322 Functional Description (continued)

FW322 continues its repeater function. If the PHY then receives a link-on packet, the internal LinkOn signal is activated to output a 6.114 MHz signal, which can be used by the LLC to power itself up. Once the LLC is powered up, the internal LPS signal communicates this to the PHY and the internal PHY/link interface is enabled. Internal LinkOn signal is turned off when LCtrl bit is set.

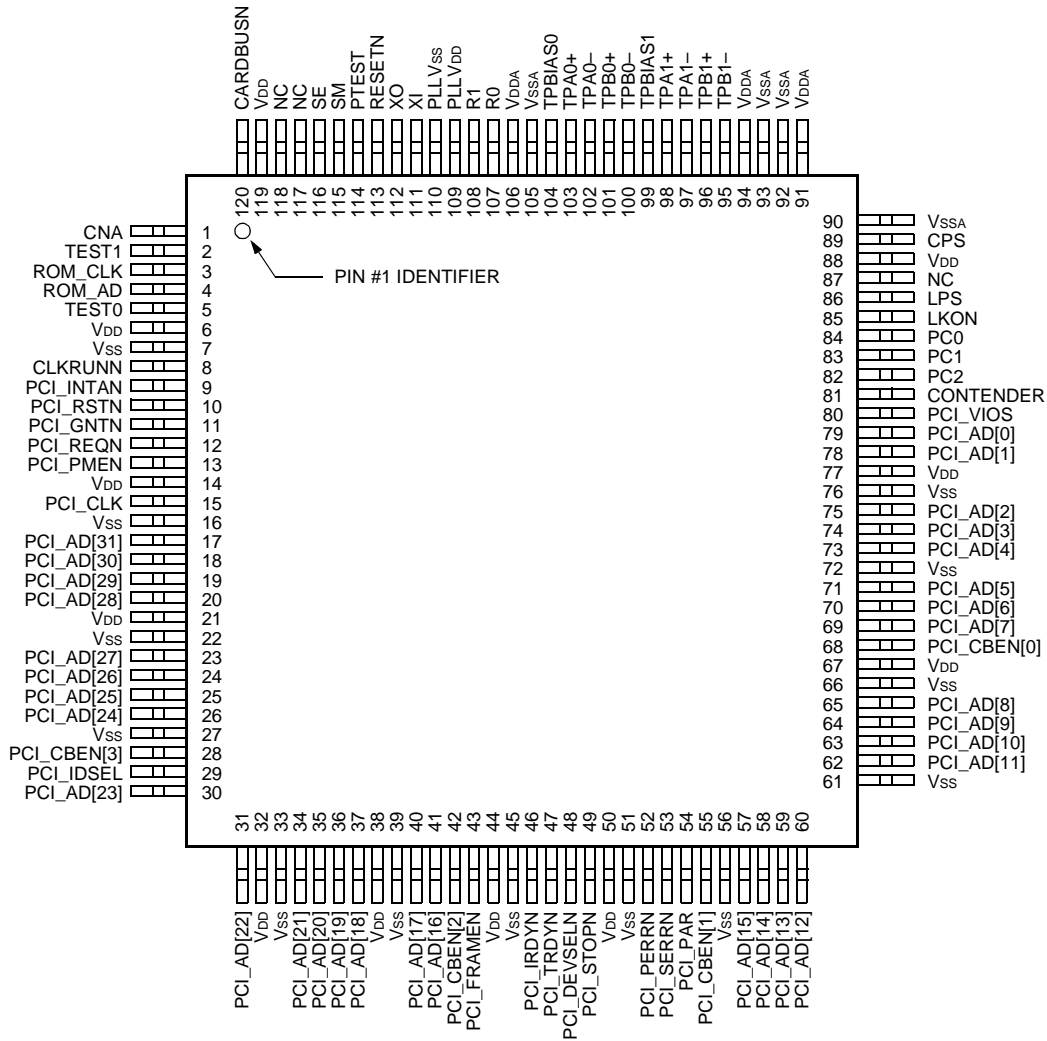
Three of the signals are used to set up various test conditions used in manufacturing. These signals (SE, SM, and PTEST) should be connected to Vss for normal operation.



5-5459(F) J

Figure 2. PHY Core Block Diagram

Pin Information



1074 (F) R.01

Note: Active-low signals within this document are indicated by an N following the symbol names.

Figure 3. Pin Assignments for FW322

Pin Information (continued)**Table 1. Pin Descriptions**

Pin	Symbol*	Type	Description
1	CNA	O	Cable Not Active. CNA output is provided for use in legacy power management systems.
2	TEST1	I	Test. Used for device testing. Tie to Vss.
3	ROM_CLK	I/O	ROM Clock.
4	ROM_AD	I/O	ROM Address/Data.
5	TEST0	I	Test. Used for device testing. Tie to Vss.
6	VDD	—	Power.
7	Vss	—	Ground.
8	CLKRUNN	I/O	CLKRUNN (Active-Low). Optional signal for PCI mobile environment. If not used, CLKRUNN pin needs to be pulled down to Vss for correct operation.
9	PCI_INTAN	O	PCI Interrupt (Active-Low).
10	PCI_RSTN	I	PCI Reset (Active-Low).
11	PCI_GNTN	I	PCI Grant Signal (Active-Low).
12	PCI_REQN	O	PCI Request Signal (Active-Low).
13	PCI_PMEN	O	PCI Power Management Event (Active-Low).
14	VDD	—	Power.
15	PCI_CLK	I	PCI Clock Input. 33 MHz.
16	Vss	—	Ground.
17	PCI_AD[31]	I/O	PCI Address/Data Bit.
18	PCI_AD[30]	I/O	PCI Address/Data Bit.
19	PCI_AD[29]	I/O	PCI Address/Data Bit.
20	PCI_AD[28]	I/O	PCI Address/Data Bit.
21	VDD	—	Power.
22	Vss	—	Ground.
23	PCI_AD[27]	I/O	PCI Address/Data Bit.
24	PCI_AD[26]	I/O	PCI Address/Data Bit.
25	PCI_AD[25]	I/O	PCI Address/Data Bit.
26	PCI_AD[24]	I/O	PCI Address/Data Bit.
27	Vss	—	Ground.
28	PCI_CBEN[3]	I/O	PCI Command/Byte Enable (Active-Low).
29	PCI_IDSEL	I	PCI ID Select.
30	PCI_AD[23]	I/O	PCI Address/Data Bit.
31	PCI_AD[22]	I/O	PCI Address/Data Bit.
32	VDD	—	Power.
33	Vss	—	Ground.
34	PCI_AD[21]	I/O	PCI Address/Data Bit.
35	PCI_AD[20]	I/O	PCI Address/Data Bit.
36	PCI_AD[19]	I/O	PCI Address/Data Bit.
37	PCI_AD[18]	I/O	PCI Address/Data Bit.
38	VDD	—	Power.
39	Vss	—	Ground.
40	PCI_AD[17]	I/O	PCI Address/Data Bit.

* Active-low signals within this document are indicated by an N following the symbol names.

Pin Information (continued)

Table 1. Pin Descriptions (continued)

Pin	Symbol*	Type	Description
41	PCI_AD[16]	I/O	PCI Address/Data Bit.
42	PCI_CBEN[2]	I/O	PCI Command/Byte Enable Signal (Active-Low).
43	PCI_FRAMEN	I/O	PCI Frame Signal (Active-Low).
44	VDD	—	Power.
45	VSS	—	Ground.
46	PCI_IRDYN	I/O	PCI Initiator Ready Signal (Active-Low).
47	PCI_TRDYN	I/O	PCI Target Ready Signal (Active-Low).
48	PCI_DEVSELN	I/O	PCI Device Select Signal (Active-Low).
49	PCI_STOPN	I/O	PCI Stop Signal (Active-Low).
50	VDD	—	Power.
51	VSS	—	Ground.
52	PCI_PERRN	I/O	PCI Parity Error Signal (Active-Low).
53	PCI_SERRN	I/O	PCI System Error Signal (Active-Low).
54	PCI_PAR	I/O	PCI Parity Signal.
55	PCI_CBEN[1]	I/O	PCI Command/Byte Enable Signal (Active-Low).
56	VSS	—	Ground.
57	PCI_AD[15]	I/O	PCI Address/Data Bit.
58	PCI_AD[14]	I/O	PCI Address/Data Bit.
59	PCI_AD[13]	I/O	PCI Address/Data Bit.
60	PCI_AD[12]	I/O	PCI Address/Data Bit.
61	VSS	—	Ground.
62	PCI_AD[11]	I/O	PCI Address/Data Bit.
63	PCI_AD[10]	I/O	PCI Address/Data Bit.
64	PCI_AD[9]	I/O	PCI Address/Data Bit.
65	PCI_AD[8]	I/O	PCI Address/Data Bit.
66	VSS	—	Ground.
67	VDD	—	Power.
68	PCI_CBEN[0]	I/O	PCI Command/Byte Enable Signal (Active-Low).
69	PCI_AD[7]	I/O	PCI Address/Data Bit.
70	PCI_AD[6]	I/O	PCI Address/Data Bit.
71	PCI_AD[5]	I/O	PCI Address/Data Bit.
72	VSS	—	Ground.
73	PCI_AD[4]	I/O	PCI Address/Data Bit.
74	PCI_AD[3]	I/O	PCI Address/Data Bit.
75	PCI_AD[2]	I/O	PCI Address/Data Bit.
76	VSS	—	Ground.
77	VDD	—	Power.
78	PCI_AD[1]	I/O	PCI Address/Data Bit.
79	PCI_AD[0]	I/O	PCI Address/Data Bit.
80	PCI_VIOS	—	PCI Signaling Indicator. (5 V or 3.3 V.)
81	CONTENDER	I	Contender. On hardware reset, this input sets the default value of the CONTENDER bit indicated during self-ID. This bit can be programmed by tying the signal to VDD (high) or to ground (low).

* Active-low signals within this document are indicated by an N following the symbol names.

Pin Information (continued)

Table 1. Pin Descriptions (continued)

Pin	Symbol*	Type	Description
82	PC2	I	Power-Class Indicators. On hardware reset, these inputs set the default value of the power class indicated during self-ID. These bits can be programmed by tying the signals to VDD (high) or to ground (low).
83	PC1		
84	PC0		
85	LKON	O	Link On. Signal from the internal PHY core to the internal link core. This signal is provided as an output for use in legacy power management systems.
86	LPS	O	Link Power Status. Signal from the internal link core to the internal PHY core. LPS is provided as an output for use in legacy power management systems.
87	NC	—	No Connect.
88	VDD	—	Power.
89	CPS	I	Cable Power Status. CPS is normally connected to the cable power through a 400 k Ω resistor. This circuit drives an internal comparator that detects the presence of cable power. This information is maintained in one internal register and is available to the LLC by way of a register read (see <i>IEEE 1394a-2000, Standard for a High Performance Serial Bus (Supplement)</i>).
90	VSSA	—	Analog Circuit Ground. All VSSA signals should be tied together to a low-impedance ground plane.
91	VDDA	—	Analog Circuit Power. VDDA supplies power to the analog portion of the device.
92	VSSA	—	Analog Circuit Ground. All VSSA signals should be tied together to a low-impedance ground plane.
93	VSSA	—	Analog Circuit Ground. All VSSA signals should be tied together to a low-impedance ground plane.
94	VDDA	—	Analog Circuit Power. VDDA supplies power to the analog portion of the device.
95	TPB1-	Analog I/O	Port 1, Port Cable Pair B. TPB1 \pm is the port B connection to the twisted-pair cable. Board traces from each pair of positive and negative differential signal pins should be kept matched and as short as possible to the external load resistors and to the cable connector.
96	TPB1+		
97	TPA1-	Analog I/O	Port 1, Port Cable Pair A. TPA1 \pm is the port A connection to the twisted-pair cable. Board traces from each pair of positive and negative differential signal pins should be kept matched and as short as possible to the external load resistors and to the cable connector.
98	TPA1+		
99	TPBIAS1	Analog I/O	Port 1, Twisted-Pair Bias. TPBIAS1 provides the 1.86 V nominal bias voltage needed for proper operation of the twisted-pair cable drivers and receivers and for sending a valid cable connection signal to the remote nodes.

* Active-low signals within this document are indicated by an N following the symbol names.

Pin Information (continued)

Table 1. Pin Descriptions (continued)

Pin	Symbol*	Type	Description
100	TPB0-	Analog I/O	Port 0, Port Cable Pair B. TPB0± is the port B connection to the twisted-pair cable. Board traces from each pair of positive and negative differential signal pins should be kept matched and as short as possible to the external load resistors and to the cable connector.
101	TPB0+		
102	TPA0-	Analog I/O	Port 0, Port Cable Pair A. TPA0± is the port A connection to the twisted-pair cable. Board traces from each pair of positive and negative differential signal pins should be kept matched and as short as possible to the external load resistors and to the cable connector.
103	TPA0+		
104	TPBIAS0	Analog I/O	Port 0, Twisted-Pair Bias. TPBIAS0 provides the 1.86 V nominal bias voltage needed for proper operation of the twisted-pair cable drivers and receivers and for sending a valid cable connection signal to the remote nodes.
105	VSSA	—	Analog Circuit Ground. All VSSA signals should be tied together to a low-impedance ground plane.
106	VDDA	—	Analog Circuit Power. VDDA supplies power to the analog portion of the device.
107	R0	I	Current Setting Resistor. An internal reference voltage is applied to a resistor connected between R0 and R1 to set the operating current and the cable driver output current. A low temperature-coefficient resistor (TCR) with a value of 2.49 kΩ ± 1% should be used to meet the <i>IEEE</i> 1394-1995 standard requirements for output voltage limits.
108	R1		
109	PLLVDD	—	Power for PLL Circuit. PLLVDD supplies power to the PLL circuitry portion of the device.
110	PLLVss	—	Ground for PLL Circuit. PLLVss is tied to a low-impedance ground plane.
111	XI	—	Crystal Oscillator. XI and XO connect to a 24.576 MHz parallel resonant fundamental mode crystal. Although when a 24.576 MHz clock source is used, it can be connected to XI with XO left unconnected. The optimum values for the external shunt capacitors are dependent on the specifications of the crystal used. The suggested values of 12 pF are appropriate for crystal with 7 pF specified loads. For more details, see the Crystal Selection Considerations section.
112	XO		

* Active-low signals within this document are indicated by an N following the symbol names.

Pin Information (continued)**Table 1. Pin Descriptions** (continued)

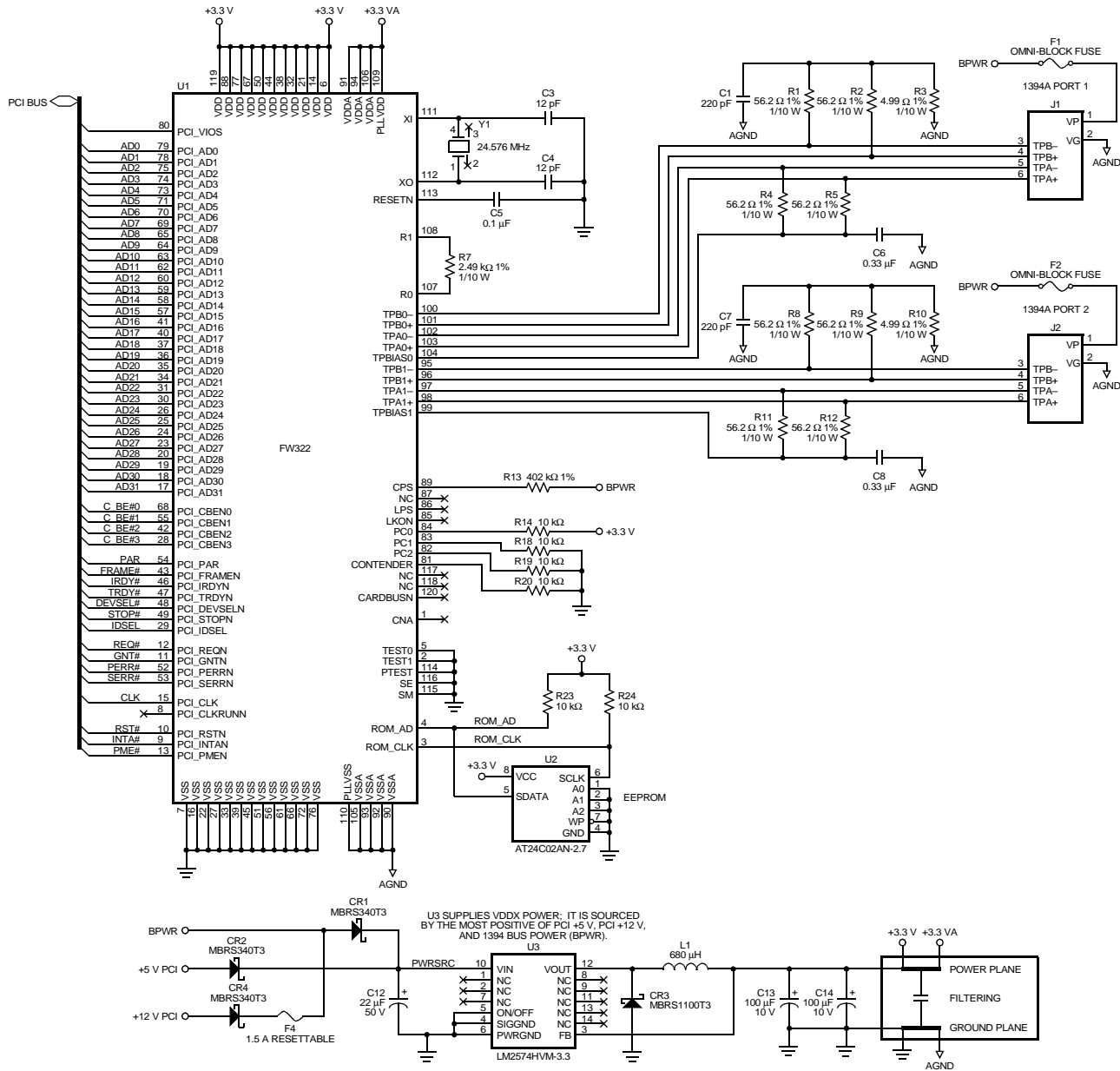
Pin	Symbol*	Type	Description
113	RESETN	I	Reset (Active-Low). When RESETN is asserted low (active), a bus reset condition is set on the active cable ports and the internal PHY core logic is reset to the reset start state. An internal pull-up resistor, which is connected to VDD, is provided, so only an external delay capacitor and resistor are required. This input is a standard logic buffer and can also be driven by an open-drain logic output buffer.
114	PTEST	I	Test. Used for device testing. Tie to Vss.
115	SM	I	Test Mode Control. SM is used during the manufacturing test and should be tied to Vss.
116	SE	I	Test Mode Control. SE is used during the manufacturing test and should be tied to Vss.
117	NC	—	No Connect.
118	NC	—	No Connect.
119	VDD	—	Power.
120	CARDBUSN	I	CardBusN. Selects mode of operation for PCI output buffers. Tie low for cardbus operation, high for PCI operation. An internal pull-up is provided to force buffers to PCI mode, if no connection is made to this pin.

* Active-low signals within this document are indicated by an N following the symbol names.

Application Schematic

The application schematic presents a complete two-port, 400 Mbits/s *IEEE* 1394a-2000 design, featuring the Lucent FW322 PCI bus-based host OHCI controller and 400 Mbits/s PHY core. The FW322 device needs only a power source (U3), connection to PCI interface, 1394a-2000 terminators and connectors, crystal, and serial EEPROM. No external PHY is required because the FW322 contains both host controller and PHY core functions. This design is a secondary (Class 4) power provider to the 1394 bus, and will participate in the required 1394a-2000 bus activities, even when power on the PCI bus is not energized.

Application Schematic (continued)



5-8886 (F)a

Figure 4. Application Schematic for FW322

Internal Registers

This section describes the internal registers in FW322, including both PCI configuration registers and OHCI registers. All registers are detailed in the same format; a brief description for each register, followed by the register offset and a bit table describing the reset state for each register.

A bit description table indicates bit-field names, a detailed field description, and field access tags.

Table 2 describes the field access tags.

Table 2. Bit-Field Access Tag Description

Access Tag	Name	Description
R	Read	Field may be read by software.
W	Write	Field may be written by software to any value.
S	Set	Field may be set by a write of 1. Writes of 0 have no effect.
C	Clear	Field may be cleared by a write of 1. Writes of 0 have no effect.
U	Update	Field may be autonomously updated by the FW322.

PCI Configuration Registers

Table 3 illustrates the PCI configuration header that includes both the predefined portion of the configuration space and the user-definable registers.

Table 3. PCI Configuration Register Map

Register Name				Offset
Device ID		Vendor ID		00h
Status		Command		04h
Class Code			Revision ID	08h
BIST	Header Type	Latency Timer	Cache Line Size	0Ch
OHCI Registers Base Address				10h
Reserved				14h
Reserved				18h
Reserved				1Ch
Reserved				20h
Reserved				24h
Reserved				28h
Subsystem ID		Subsystem Vendor ID		2Ch
Reserved				30h
Reserved			Capabilities Pointer	34h
Reserved				38h
Maximum Latency	Minimum Grant	Interrupt Pin	Interrupt Line	3Ch
PCI OHCI Control Register				40h
Power Management Capabilities		Next Item Pointer	Capability ID	44h
Pm Data	Pmcsr_bse	Power Management CSR		48h
Reserved				4C—FCh

Internal Registers (continued)

Vendor ID Register

The vendor ID register contains a value allocated by the PCI SIG and identifies the manufacturer of the device. The vendor ID assigned to Lucent Technologies is 11C1h.

Table 4. Vendor ID Register

Bit	Field Name	Type	Default
15	Vendor ID	R	0
14		R	0
13		R	0
12		R	1
11		R	0
10		R	0
9		R	0
8		R	1
7		R	1
6		R	1
5		R	0
4		R	0
3		R	0
2		R	0
1		R	0
0		R	1

Register: Vendor ID register
Type: Read only
Offset: 00h
Default: 11C1h

Internal Registers (continued)

Device ID Register

The device ID register contains a value assigned to the FW322 by Lucent Technologies. The device identification for the FW322 is 5811h.

Table 5. Device ID Register

Bit	Field Name	Type	Default
15	Device ID	R	0
14		R	1
13		R	0
12		R	1
11		R	1
10		R	0
9		R	0
8		R	0
7		R	0
6		R	0
5		R	0
4		R	1
3		R	0
2		R	0
1		R	0
0		R	1

Register: Device ID register
 Type: Read only
 Offset: 02h
 Default: 5811h

Internal Registers (continued)

PCI Command Register

The command register provides control over the FW322 interface to the PCI bus. All bit functions adhere to the definitions in the PCI local bus specification, as in the following bit descriptions.

Table 6. PCI Command Register

Bit	Field Name	Type	Default
15	Reserved	R	0
14		R	0
13		R	0
12		R	0
11		R	0
10		R	0
9		FBB_ENB	R
8	SERR_ENB	RW	0
7	STEP_ENB	R	0
6	PERR_ENB	RW	0
5	VGA_ENB	R	0
4	MWI_ENB	RW	0
3	SPECIAL	R	0
2	MASTER_ENB	RW	0
1	MEMORY_ENB	RW	0
0	IO_ENB	R	0

Register: PCI command register
 Type: Read/Write
 Offset: 04h
 Default: 0000h

Internal Registers (continued)

Table 7. PCI Command Register Description

Bit	Field Name	Type	Description
15:10	Reserved	R	Reserved. Bits 15:10 return 0s when read.
9	FBB_ENB	R	Fast Back-to-Back Enable. The FW322 does not generate fast back-to-back transactions; thus, this bit returns 0 when read.
8	SERR_ENB	RW	SERR Enable. When this bit is set, the FW322 SERR driver is enabled. SERR can be asserted after detecting an address parity error on the PCI bus.
7	STEP_ENB	R	Address/Data Stepping Control. The FW322 does not support address/data stepping; thus, this bit is hardwired to 0.
6	PERR_ENB	RW	Parity Error Enable. When this bit is set, the FW322 is enabled to drive PERR response to parity errors through the PERR signal.
5	VGA_ENB	R	VGA Palette Snoop Enable. The FW322 does not feature VGA palette snooping. This bit returns 0 when read.
4	MWI_ENB	RW	Memory Write and Invalidate Enable. When this bit is set, the FW322 is enabled to generate MWI PCI bus commands. If this bit is reset, then the FW322 generates memory write commands instead.
3	SPECIAL	R	Special Cycle Enable. The FW322 function does not respond to special cycle transactions. This bit returns 0 when read.
2	MASTER_ENB	RW	Bus Master Enable. When this bit is set, the FW322 is enabled to initiate cycles on the PCI bus.
1	MEMORY_ENB	RW	Memory Response Enable. Setting this bit enables the FW322 to respond to memory cycles on the PCI bus. This bit must be set to access OHCI registers.
0	IO_ENB	R	I/O Space Enable. The FW322 does not implement any I/O mapped functionality; thus, this bit returns 0 when read.

Internal Registers (continued)

PCI Status Register

The status register provides status over the FW322 interface to the PCI bus. All bit functions adhere to the definitions in the PCI local bus specification, as in the following bit descriptions.

Table 8. PCI Status Register

Bit	Field Name	Type	Default
15	PAR_ERR	RCU	0
14	SYS_ERR	RCU	0
13	MABORT	RCU	0
12	TABORT_REC	RCU	0
11	TABORT_SIG	RCU	0
10	PCI_SPEED	R	0
9		R	1
8	DATAPAR	RCU	0
7	FBB_CAP	R	0
6	UDF	R	0
5	66MHZ	R	0
4	CAPLIST	R	1
3	Reserved	R	0
2		R	0
1		R	0
0		R	0

Register: PCI status register
 Type: Read/Clear/Update
 Offset: 06h
 Default: 0210h

Internal Registers (continued)

Class Code and Revision ID Register

The class code register and revision ID register categorizes the FW322 as a serial bus controller (0Ch), controlling an *IEEE* 1394 bus (00h), with an OHCI programming model (10h). Furthermore, the chip revision is indicated in the lower byte.

Table 9. Class Code and Revision ID Register

Bit	Field Name	Type	Default
31	BASECLASS	R	0
30		R	0
29		R	0
28		R	0
27		R	1
26		R	1
25		R	0
24		R	0
23	SUBCLASS	R	0
22		R	0
21		R	0
20		R	0
19		R	0
18		R	0
17		R	0
16		R	0
15	PGMIF	R	0
14		R	0
13		R	0
12		R	1
11		R	0
10		R	0
9		R	0
8		R	0
7	CHIPREV	R	0
6		R	0
5		R	0
4		R	0
3		R	0
2		R	0
1		R	0
0		R	0

Register: Class code and revision ID register
 Type: Read only
 Offset: 08h
 Default: 0C00 1000h

Internal Registers (continued)

Table 10. Class Code and Revision ID Register Description

Bit	Field Name	Type	Description
31:24	BASECLASS	R	Base Class. This field returns 0Ch when read, which classifies the function as a serial bus controller.
23:16	SUBCLASS	R	Subclass. This field returns 00h when read, which specifically classifies the function as an <i>IEEE</i> 1394 serial bus controller.
15:8	PGMIF	R	Programming Interface. This field returns 10h when read, indicating that the programming model is compliant with the 1394 Open Host Controller Interface Specification.
7:0	CHIPREV	R	Silicon Revision. This field returns 04h when read, indicating the silicon revision of the FW322.

Latency Timer and Class Cache Line Size Register

The latency timer and class cache line size register is programmed by host BIOS to indicate system cache line size and the latency timer associated with the FW322.

Table 11. Latency Timer and Class Cache Line Size Register

Bit	Field Name	Type	Default
15	LATENCY_TIMER	RW	0
14		RW	0
13		RW	0
12		RW	0
11		RW	0
10		RW	0
9		RW	0
8		RW	0
7	CACHELINE_SZ	RW	0
6		RW	0
5		RW	0
4		RW	0
3		RW	0
2		RW	0
1		RW	0
0		RW	0

Register: Latency timer and class cache line size register
 Type: Read/Write
 Offset: 0Ch
 Default: 0000h

Internal Registers (continued)

Table 12. Latency Timer and Class Cache Line Size Register Description

Bit	Field Name	Type	Description
15:8	LATENCY_TIMER	RW	PCI Latency Timer. The value in this register specifies the latency timer for the FW322, in units of PCI clock cycles. When the FW322 is a PCI bus initiator and asserts FRAME, the latency timer begins counting from zero. If the latency timer expires before the FW322 transaction has terminated, then the FW322 terminates the transaction when its GNT is deasserted.
7:0	CACHELINE_SZ	RW	Cache Line Size. This value is used by the FW322 during memory write and invalidate, memory read line, and memory read multiple transactions.

Header Type and BIST Register

The header type and BIST register indicates the FW322 PCI header type and indicates no built-in self-test.

Table 13. Header Type and BIST Register

Bit	Field Name	Type	Default
15	BIST	R	0
14		R	0
13		R	0
12		R	0
11		R	0
10		R	0
9		R	0
8		R	0
7	HEADER_TYPE	R	0
6		R	0
5		R	0
4		R	0
3		R	0
2		R	0
1		R	0
0		R	0

Register: Header type and BIST register
 Type: Read only
 Offset: 0Eh
 Default: 0000h

Internal Registers (continued)

Table 14. Header Type and BIST Register Description

Bit	Field Name	Type	Description
15:8	BIST	R	Built-In Self-Test. The FW322 does not include a built-in self-test; thus, this field returns 00h when read.
7:0	HEADER_TYPE	R	PCI Header Type. The FW322 includes the standard PCI header, and this is communicated by returning 00h when this field is read.

Internal Registers (continued)

OHCI Base Address Register

The OHCI base address register is programmed with a base address referencing the memory-mapped OHCI control. When BIOS writes all 1s to this register, the value read back is FFFF F000h, indicating that 4 Kbytes of memory address space are required for the OHCI registers.

Table 15. OHCI Base Address Register

Bit	Field Name	Type	Default
31	RW	OHCIREG_PTR	0
30	RW		0
29	RW		0
28	RW		0
27	RW		0
26	RW		0
25	RW		0
24	RW		0
23	RW		0
22	RW		0
21	RW		0
20	RW		0
19	RW	OHCI_SZ	0
18	RW		0
17	RW		0
16	RW		0
15	RW		0
14	RW		0
13	RW		0
12	RW		0
11	RW		0
10	R		0
9	R		0
8	R		0
7	R	0	
6	R	0	
5	R	0	
4	R	0	
3	R	OHCI_PF	0
2	R	OHCI_MEMTYPE	0
1	R		0
0	R	OHCI_MEM	0

Register: OHCI base address register
 Type: Read/Write
 Offset: 10h
 Default: 0000 0000h

Internal Registers (continued)

Table 16. OHCI Base Address Register Description

Bit	Field Name	Type	Description
31:12	OHCIREG_PTR	RW	OHCI Register Pointer. Specifies the upper 20 bits of the 32-bit OHCI base address register.
11:4	OHCI_SZ	R	OHCI Register Size. This field returns 0s when read, indicating that the OHCI registers require a 4 Kbyte region of memory.
3	OHCI_PF	R	OHCI Register Prefetch. This bit returns 0 when read, indicating that the OHCI registers are nonprefetchable.
2:1	OHCI_MEMTYPE	R	OHCI Memory Type. This field returns 0s when read, indicating that the OHCI base address register is 32 bits wide and mapping can be done anywhere in the 32-bit memory space.
0	OHCI_MEM	R	OHCI Memory Indicator. This bit returns 0 when read, indicating that the OHCI registers are mapped into system memory space.

Internal Registers (continued)

PCI Subsystem Identification Register

The PCI subsystem identification register is used to uniquely identify the card or system in which the FW322 resides. These values are loaded from the serial EEPROM during the powerup sequence.

Table 17. PCI Subsystem Identification Register Description

Bit	Field Name	Type	Description
31:16	SSID	RU	Subsystem ID. This field indicates the subsystem ID.
15:0	SSVID	RU	Subsystem Vendor ID. This field indicates the subsystem vendor ID.

PCI Power Management Capabilities Pointer Register

The PCI power management capabilities pointer register provides a pointer into the PCI configuration header where the PCI power management register block resides. The FW322 configuration words at offsets 44h and 48h provide the power management registers. This register is read only and returns 44h when read.

Table 18. PCI Power Management Capabilities Pointer Register

Bit	Type	Default
7	R	0
6	R	1
5	R	0
4	R	0
3	R	0
2	R	1
1	R	0
0	R	0

Register: PCI power management capabilities pointer register
 Type: Read only
 Offset: 34h
 Default: 44h

Internal Registers (continued)

Interrupt Line and Pin Register

The interrupt line and pin register is used to communicate interrupt line routing information.

Table 19. Interrupt Line and Pin Register

Bit	Field Name	Type	Default
15	INTR_PIN	R	0
14		R	0
13		R	0
12		R	0
11		R	0
10		R	0
9		R	0
8		R	1
7	INTR_LINE	RW	0
6		RW	0
5		RW	0
4		RW	0
3		RW	0
2		RW	0
1		RW	0
0		RW	0

Register: Interrupt line and pin register
 Type: Read/Write
 Offset: 3Ch
 Default: 0100h

Table 20. Interrupt Line and Pin Register Description

Bit	Field Name	Type	Description
15:8	INTR_PIN	R	Interrupt Pin Register. This register returns 01h when read, indicating that the FW322 PCI function signals interrupts on the INTA pin.
7:0	INTR_LINE	RW	Interrupt Line Register. This register is programmed by the system and indicates to software to which interrupt line the FW322 INTA is connected.

Internal Registers (continued)

MIN_GNT and MAX_LAT Register

The MIN_GNT and MAX_LAT register is used to communicate to the system the desired setting of the latency timer register. If a serial ROM is detected, then the contents of this register are loaded through the serial ROM interface after a PCI reset. If no serial ROM is detected, then this register returns a default value that corresponds to the MIN_GNT = 0C, MAX_LAT = 18.

Table 21. MIN_GNT and MAX_LAT Register

Bit	Field Name	Type	Default
15	MAX_LAT	RU	0
14		RU	0
13		RU	0
12		RU	1
11		RU	1
10		RU	0
9		RU	0
8		RU	0
7	MIN_GNT	RU	0
6		RU	0
5		RU	0
4		RU	0
3		RU	1
2		RU	1
1		RU	0
0		RU	0

Register: MIN_GNT and MAX_LAT register
 Type: Read/Update
 Offset: 3Eh
 Default: 180C

Table 22. MIN_GNT and MAX_LAT Register Description

Bit	Field Name	Type	Description
15:8	MAX_LAT	RU	Maximum Latency. The contents of this register may be used by host BIOS to assign an arbitration priority level to the FW322. The default for this register indicates that the FW322 may need to access the PCI bus as often as every 0.25 μ s; thus, an extremely high priority level is requested. The contents of this field may also be loaded through the serial ROM.
7:0	MIN_GNT	RU	Minimum Grant. The contents of this register may be used by host BIOS to assign a latency timer register value to the FW322. The default for this register indicates that the FW322 may need to sustain burst transfers for nearly 64 μ s, thus requesting a large value be programmed in the FW322 latency timer register.

Internal Registers (continued)

PCI OHCI Control Register

The PCI OHCI control register is defined by the 1394 open host controller interface specification and provides a bit for big endian PCI support. Note that the GLOBAL_SWAP bit is loaded from the serial EEPROM on powerup.

Table 23. PCI OHCI Control Register

Bit	Field Name	Type	Default
31	Reserved	R	0
30		R	0
29		R	0
28		R	0
27		R	0
26		R	0
25		R	0
24		R	0
23		R	0
22		R	0
21		R	0
20		R	0
19		R	0
18		R	0
17		R	0
16		R	0
15		R	0
14		R	0
13		R	0
12		R	0
11		R	0
10		R	0
9		R	0
8		R	0
7		R	0
6		R	0
5		R	0
4		R	0
3		R	0
2		R	0
1		R	0
0	GLOBAL_SWAP	RW	0

Register: PCI OHCI control register
 Type: Read/Write
 Offset: 40h
 Default: 0000 0000h

Internal Registers (continued)

Table 24. PCI OHCI Control Register Description

Bit	Field Name	Type	Description
31:1	Reserved	R	Reserved. Bits 31:1 return 0s when read.
0	GLOBAL_SWAP	RW	When this bit is set, all quadlets read from and written to the PCI interface are byte swapped.

Internal Registers (continued)

Capability ID and Next Item Pointer Register

The capability ID and next item pointer register identifies the linked list capability item and provides a pointer to the next capability item.

Table 25. Capability ID and Next Item Pointer Register

Bit	Field Name	Type	Default
15	NEXT_ITEM	R	0
14		R	0
13		R	0
12		R	0
11		R	0
10		R	0
9		R	0
8		R	0
7	CAPABILITY_ID	R	0
6		R	0
5		R	0
4		R	0
3		R	0
2		R	0
1		R	0
0		R	1

Register: Capability ID and next item pointer register
 Type: Read only
 Offset: 44h
 Default: 0001h

Table 26. Capability ID and Next Item Pointer Register Description

Bit	Field Name	Type	Description
15:8	NEXT_ITEM	R	Next Item Pointer. The FW322 supports only one additional capability that is communicated to the system through the extended capabilities list; thus, this field returns 00h when read.
7:0	CAPABILITY_ID	R	Capability Identification. This field returns 01h when read, which is the unique ID assigned by the PCI SIG for PCI power management capability.

Internal Registers (continued)

Power Management Capabilities Register

The power management capabilities register indicates the capabilities of the FW322 related to PCI power management.

Table 27. Power Management Capabilities Register

Bit	Field Name	Type	Default
15	PME_D3COLD	R	0
14	PME_D3HOT	R	1
13	PME_D2	R	1
12	PME_D1	R	1
11	PME_D0	R	1
10	D2_SUPPORT	R	1
9	D1_SUPPORT	R	1
8	DYN_DATA	R	0
7	Reserved	R	0
6		R	0
5		DSI	R
4	AUX_PWR	R	0
3	PME_CLK	R	0
2	PM_VERSION	R	0
1		R	1
0		R	0

Register: Power management capabilities register
 Type: Read/Update
 Offset: 46h
 Default: 7E02h

Internal Registers (continued)

Table 28. Power Management Capabilities Register Description

Bit	Field Name	Type	Description
15	PME_D3COLD	R	PME Support from D3 COLD. Set to 0 indicating the FW322 will not generate a PME event in the D3 COLD state.
14	PME_D3HOT	R	PME Support from D3 HOT. Set to 1 indicating that the FW322 can generate a PME event in the D3 HOT state.
13	PME_D2	R	PME Support from D2. Set to 1 indicating that the FW322 can generate a PME in D2.
12	PME_D1	R	PME Support from D1. Set to 1 indicating that the FW322 can generate a PME in D1.
11	PME_D0	R	PME Support from D0. Set to 1 indicating that the FW322 can generate a PME in D0.
10	D2_SUPPORT	R	D2 Support. This bit returns a 1 when read, indicating that the FW322 supports the D2 power state.
9	D1_SUPPORT	R	D1 Support. This bit returns a 1 when read, indicating that the FW322 supports the D1 power state.
8	DYN_DATA	R	Dynamic Data Support. This bit returns a 0 when read, indicating that the FW322 does not report dynamic power consumption data.
7:6	Reserved	R	Reserved. Bits 7:6 return 0s when read.
5	DSI	R	Device-Specific Initialization. This bit returns 0 when read, indicating that the FW322 does not require special initialization beyond the standard PCI configuration header before a generic class driver is able to use it.
4	AUX_PWR	R	Auxiliary Power Source. Since the FW322 does not support PME generation in the D3 COLD device state, this bit returns 0 when read.
3	PME_CLK	R	PME Clock. This bit returns 0 when read, indicating that no host bus clock is required for the FW322 to generate PME.
2:0	PM_VERSION	R	Power Management Version. This field returns 010b when read, indicating that the FW322 is compatible with the registers described in the PCI Power Management Interface Spec., Rev.1.1.

Internal Registers (continued)

Power Management Control and Status Register

The power management control and status register implements the control and status of the PCI power management function. This register is not affected by the internally generated reset caused by the transition from the D3 HOT to D0 state.

Table 29. Power Management Control and Status Register

Bit	Field Name	Type	Default
15	PME_STS	RC	0
14	DATA_SCALE	R	0
13		R	0
12	DATA_SELECTED	R	0
11		R	0
10		R	0
9		R	0
8		PME_ENB	RW
7	Reserved	R	0
6		R	0
5		R	0
4	DYN_DATA	R	0
3	Reserved	R	0
2		R	0
1	PWR_STATE	RW	0
0		RW	0

Register: Power management control and status register
 Type: Read/Write/Clear
 Offset: 48h
 Default: 0000h

Internal Registers (continued)

Table 30. Power Management Control and Status Register Description

Bit	Field Name	Type	Description
15	PME_STS	RC	This bit is set when the FW322 would normally be asserting the PME signal, independent of the state of the PME_ENB bit. This bit is cleared by a write back of 1, and this also clears the PME signal driven by the FW322. Writing a 0 to this bit has no effect.
14:13	DATA_SCALE	R	This field returns 0s when read since the FW322 does not report dynamic data.
12:9	DATA_SELECTED	R	This field returns 0s when read since the FW322 does not report dynamic data.
8	PME_ENB	RW	PME Enable. This bit enables the function to assert PME. If this bit is cleared, then assertion of PME is disabled.
7:5	Reserved	R	Reserved. Bits 7:5 return 0s when read.
4	DYN_DATA	R	Dynamic Data. This bit returns 0 when read since the FW322 does not report dynamic data.
3:2	Reserved	R	Reserved. Bits 3:2 return 0s when read.
1:0	PWR_STATE	RW	Power State. This 2-bit field is used to set the FW322 device power state and is encoded as follows: 00 = current power state is D0. 01 = current power state is D1. 10 = current power state is D2. 11 = current power state is D3.

Internal Registers (continued)

Power Management Extension Register

The power management extension register provides extended power management features not applicable to the FW322; thus, it is read only and returns 0 when read.

Table 31. Power Management Extension Register

Bit	Field Name	Type	Default
15	PM_DATA	R	0
14		R	0
13		R	0
12		R	0
11		R	0
10		R	0
9		R	0
8		R	0
7	PMCSR_BSE	RW	0
6		RW	0
5		RW	0
4		RW	0
3		RW	0
2		RW	0
1		RW	0
0		RW	0

Register: Power management extension register
 Type: Read only
 Offset: 4Ah
 Default: 0000h

Table 32. Power Management Extension Register Description

Bit	Field Name	Type	Description
15:8	PM_DATA	R	Power Management Data. This field returns 00h when read since the FW322 does not report dynamic data.
7:0	PMCSR_BSE	R	Power Management CSR Bridge Support Extensions. This field returns 00h when read since the FW322 does not provide P2P bridging.

Internal Registers (continued)

OHCI Registers

The OHCI registers defined by the 1394 Open Host Controller Interface Specification are memory mapped into a 2 Kbyte region of memory pointed to by the OHCI base address register at offset 10h in PCI configuration space. These registers are the primary interface for controlling the FW322 *IEEE* 1394 OHCI function. This section provides the register interface and bit descriptions. There are several set and clear register pairs in this programming model, which are implemented to solve various issues with typical read-modify-write control registers. There are two addresses for a set/clear register: RegisterSet and RegisterClear. Refer to Table 33 for an illustration. A 1 bit written to RegisterSet causes the corresponding bit in the set/clear register to be set, while a 0 bit leaves the corresponding bit unaffected. A 1 bit written to RegisterClear causes the corresponding bit in the set/clear register to be reset, while a 0 bit leaves the corresponding bit in the set/clear register unaffected. Typically, a read from either RegisterSet or RegisterClear returns the contents of the set or clear register. However, sometimes reading the RegisterClear provides a masked version of the set or clear register. The interrupt event register is an example of this behavior.

Table 33. OHCI Register Map

DMA Context	Register Name	Abbreviation	Offset
—	OHCI version	Version	00h
	Global unique ID ROM	GUID_ROM	04h
	Asynchronous transmit retries	ATRetries	08h
	CSR data	CSRData	0Ch
	CSR compare data	CSRCompareData	10h
	CSR control	CSRControl	14h
	Configuration ROM header	ConfigROMhdr	18h
	Bus identification	BusID	1Ch
	Bus options	BusOptions	20h
	Global unique ID high	GUIDHi	24h
	Global unique ID low	GUIDLo	28h
	PCI subsystem identification	SSID	2Ch
	Reserved	—	30h
	Configuration ROM map	ConfigROMmap	34h
	Posted write address low	PostedWriteAddressLo	38h
	Posted write address high	PostedWriteAddressHi	3Ch
	Vendor identification	VendorID	40h
	Capability ID and next item pointer	CAP_ID	44h
	Power management capabilities	PM_CAP	46h
	Power management control and status	PMCSR	48h
	Power management extensions	PM_Ext	4Ah
	Reserved	—	4Ch
	Host controller control	HCControlSet	50h
		HCControlClr	54h
	Reserved	—	58h
	Reserved	—	5Ch

Internal Registers (continued)

Table 33. OHCI Register Map (continued)

DMA Context	Register Name	Abbreviation	Offset
Self-ID	Reserved	—	60h
	Self-ID buffer	SelfIDBuffer	64h
	Self-ID count	SelfIDCount	68h
	Reserved	—	6Ch
—	Isochronous receive channel mask high	IRChannelMaskHiSet	70h
		IRChannelMaskHiClear	74h
	Isochronous receive channel mask low	IRChannelMaskLoSet	78h
		IRChannelMaskLoClear	7Ch
	Interrupt event	IntEventSet	80h
		IntEventClear	84h
	Interrupt mask	IntMaskSet	88h
		IntMaskClear	8Ch
	Isochronous transmit interrupt event	IsoXmitIntEventSet	90h
		IsoXmitIntEventClear	94h
	Isochronous transmit interrupt mask	IsoXmitIntMaskSet	98h
		IsoXmitIntMaskClear	9Ch
—	Isochronous receive interrupt event	IsoRecvIntEventSet	A0h
		IsoRecvIntEventClear	A4h
	Isochronous receive interrupt mask	IsoRecvIntMaskSet	A8h
		IsoRecvIntMaskClear	ACh
	Reserved	—	B0h:D8h
	Fairness control	FairnessControl	DCh
	Link control	LinkControlSet	E0h
		LinkControlClear	E4h
	Node identification	NodeID	E8h
	PHY core layer control	PhyControl	ECh
	Isochronous cycle timer	IsoCycTimer	F0h
	Reserved	—	F4h
	Reserved	—	F8h
	Reserved	—	FCh
	Asynchronous request filter high	AsyncRequestFilterHiSet	100h
		AsyncRequestFilterHiClear	104h
	Asynchronous request filter low	AsyncRequestFilterLoSet	108h
		AsyncRequestFilterLoClear	10Ch
	Physical request filter high	PhysicalRequestFilterHiSet	110h
		PhysicalRequestFilterHiClear	114h
	Physical request filter low	PhysicalRequestFilterLoSet	118h
PhysicalRequestFilterLoClear		11Ch	
Physical upper bound	PhysicalUpperBound	120h	
Reserved	—	124h:17Ch	

Internal Registers (continued)

Table 33. OHCI Register Map (continued)

DMA Context	Register Name	Abbreviation	Offset
Asynchronous Request Transmit [ATRQ]	Context control	ContextControlSet	180h
		ContextControlClear	184h
	Reserved	—	188h
	Command pointer	CommandPtr	18Ch
Asynchronous Response Transmit [ATRS]	Reserved	—	190h—19Ch
	Context control	ContextControlSet	1A0h
		ContextControlClear	1A4h
	Reserved	—	1A8h
Command pointer	CommandPtr	1ACh	
Asynchronous Request Receive [ARRQ]	Reserved	—	1B0h—1BCh
	Context control	ContextControlSet	1C0h
		ContextControlClear	1C4h
	Reserved	—	1C8h
Command pointer	CommandPtr	1CCh	
Asynchronous Response Receive [ARRS]	Reserved	—	1D0h—1DCh
	Context control	ContextControlSet	1E0h
		ContextControlClear	1E4h
	Reserved	—	1E8h
Command pointer	CommandPtr	1ECh	
Isochronous Transmit Context n n = 0:7	Reserved	—	1F0h—1FCh
	Context control	ContextControlSet	200h + 16 * n
		ContextControlClear	204h + 16 * n
	Reserved	—	208h + 16 * n
Command pointer	CommandPtr	20Ch + 16 * n	
Isochronous Receive Context n n = 0:7	Context control	ContextControlSet	400h + 32 * n
		ContextControlClear	404h + 32 * n
	Reserved	—	408h + 32 * n
	Command pointer	CommandPtr	40Ch + 32 * n
	Context match	ContextMatch	410h + 32 * n

Internal Registers (continued)

OHCI Version Register

This register indicates the OHCI version support, and whether or not the serial ROM is present.

Table 34. OHCI Version Register

Bit	Field Name	Type	Default
31	Reserved	R	0
30		R	0
29		R	0
28		R	0
27		R	0
26		R	0
25		R	0
24		GUID_ROM	R
23	Version	R	0
22		R	0
21		R	0
20		R	0
19		R	0
18		R	0
17		R	0
16		R	1
15		Reserved	R
14	R		0
13	R		0
12	R		0
11	R		0
10	R		0
9	R		0
8	R		0
7	Revision	R	0
6		R	0
5		R	0
4		R	0
3		R	0
2		R	0
1		R	0
0		R	0

Register: OHCI version register
 Type: Read only
 Offset: 00h
 Default: 0X01 0000h

Internal Registers (continued)

Table 35. OHCI Version Register Description

Bit	Field Name	Type	Description
31:25	Reserved	R	Reserved. Bits 31:25 return 0s when read.
24	GUID_ROM	R	The FW322 sets this bit if the serial ROM is detected. If the serial ROM is present, then the Bus_Info_Block and chip configuration data is automatically loaded on hardware reset.
23:16	Version	R	Major Version of the OHCI. The FW322 is compliant with the 1394 open host controller interface specification; thus, this field reads 01h.
15:8	Reserved	R	Reserved. Bits 15:8 return 0s when read.
7:0	Revision	R	Minor Version of the OHCI. The FW322 is compliant with the 1394 open host controller interface specification; thus, this field reads 00h.

Internal Registers (continued)

GUID ROM Register

The GUID ROM register is used to access the serial ROM, and is only applicable if bit 24 (GUID_ROM) in the OHCI version register is set.

Table 36. GUID ROM Register

Bit	Field Name	Type	Default
31	addrReset	RSU	0
30	Reserved	R	0
29		R	0
28		R	0
27		R	0
26		R	0
25		rdStart	RSU
24	Reserved	R	0
23	rdData	RU	X
22		RU	X
21		RU	X
20		RU	X
19		RU	X
18		RU	X
17		RU	X
16		RU	X
15		Reserved	R
14	R		0
13	R		0
12	R		0
11	R		0
10	R		0
9	R		0
8	R		0
7	R		0
6	R		0
5	R		0
4	R		0
3	R		0
2	R		0
1	R		0
0	R		0

Register: GUID ROM register
 Type: Read/Set/Update
 Offset: 04h
 Default: 00XX 0000h

Internal Registers (continued)

Table 37. GUID ROM Register Description

Bit	Field Name	Type	Description
31	addrReset	RSU	Software sets this bit to reset the GUID ROM address to 0. When the FW322 completes the reset, it clears this bit.
30:26	Reserved	R	Reserved. Bits 30:26 return 0s when read.
25	rdStart	RSU	A read of the currently addressed byte is started when this bit is set. This bit is automatically cleared when the FW322 completes the read of the currently addressed GUID ROM byte.
24	Reserved	R	Reserved. Bit 24 returns 0 when read.
23:16	rdData	RU	This field represents the data read from the GUID ROM and is only valid when rdStart = 0.
15:0	Reserved	R	Reserved. Bits 15:0 return 0s when read.

Internal Registers (continued)

Asynchronous Transmit Retries Register

The asynchronous transmit retries register indicates the number of times the FW322 attempts a retry for asynchronous DMA request transmit and for asynchronous physical and DMA response transmit.

Table 38. Asynchronous Transmit Retries Register

Bit	Field Name	Type	Default
31	secondLimit	R	0
30		R	0
29		R	0
28	cycleLimit	R	0
27		R	0
26		R	0
25		R	0
24		R	0
23		R	0
22		R	0
21		R	0
20		R	0
19		R	0
18		R	0
17		R	0
16		R	0
15		Reserved	R
14	R		0
13	R		0
12	R		0
11	maxPhysRespRetries	RW	0
10		RW	0
9		RW	0
8		RW	0
7	maxATRespRetries	RW	0
6		RW	0
5		RW	0
4		RW	0
3	maxATReqRetries	RW	0
2		RW	0
1		RW	0
0		RW	0

Register: Asynchronous transmit retries register
 Type: Read/Write
 Offset: 08h
 Default: 0000 0000h

Internal Registers (continued)

Table 39. Asynchronous Transmit Retries Register Description

Bit	Field Name	Type	Description
31:29	secondLimit	R	The second limit field returns 0s when read, since outbound dual-phase retry is not implemented.
28:16	cycleLimit	R	The cycle limit field returns 0s when read, since outbound dual-phase retry is not implemented.
15:12	Reserved	R	Reserved. Bits 15:12 return 0s when read.
11:8	maxPhysRespRetries	RW	This field tells the physical response unit how many times to attempt to retry the transmit operation for the response packet when a busy acknowledge or ack_data_error is received from the target node.
7:4	maxATRespRetries	RW	This field tells the asynchronous transmit response unit how many times to attempt to retry the transmit operation for the response packet when a busy acknowledge or ack_data_error is received from the target node.
3:0	maxATReqRetries	RW	This field tells the asynchronous transmit DMA request unit how many times to attempt to retry the transmit operation for the response packet when a busy acknowledge or ack_data_error is received from the target node.

Internal Registers (continued)

CSR Data Register

The CSR data register is used to access the bus management CSR registers from the host through compare-swap operations. This register contains the data to be stored in a CSR if the compare is successful.

Table 40. CSR Data Register

Bit	Field Name	Type	Default
31	csrData	RWU	X
30		RWU	X
29		RWU	X
28		RWU	X
27		RWU	X
26		RWU	X
25		RWU	X
24		RWU	X
23		RWU	X
22		RWU	X
21		RWU	X
20		RWU	X
19		RWU	X
18		RWU	X
17		RWU	X
16		RWU	X
15		RWU	X
14		RWU	X
13		RWU	X
12		RWU	X
11		RWU	X
10		RWU	X
9		RWU	X
8		RWU	X
7		RWU	X
6		RWU	X
5		RWU	X
4		RWU	X
3		RWU	X
2		RWU	X
1		RWU	X
0		RWU	X

Register: CSR data register
 Type: Read only
 Offset: 0Ch
 Default: XXXX XXXXh

Internal Registers (continued)

Table 41. CSR Data Register Description

Bit	Field Name	Type	Description
31:0	csrData	RWU	At start of operation, the data to be stored if the compare is successful.

Internal Registers (continued)

CSR Compare Register

The CSR compare register is used to access the bus management CSR registers from the host through compare-swap operations. This register contains the data to be compared with the existing value of the CSR resource.

Table 42. CSR Compare Register

Bit	Field Name	Type	Default
31	csrCompare	RW	X
30		RW	X
29		RW	X
28		RW	X
27		RW	X
26		RW	X
25		RW	X
24		RW	X
23		RW	X
22		RW	X
21		RW	X
20		RW	X
19		RW	X
18		RW	X
17		RW	X
16		RW	X
15		RW	X
14		RW	X
13		RW	X
12		RW	X
11		RW	X
10		RW	X
9		RW	X
8		RW	X
7		RW	X
6		RW	X
5		RW	X
4		RW	X
3		RW	X
2		RW	X
1		RW	X
0		RW	X

Register: CSR compare register
 Type: Read only
 Offset: 10h
 Default: XXXX XXXXh

Internal Registers (continued)

Table 43. CSR Compare Register Description

Bit	Field Name	Type	Description
31:0	csrCompare	RW	The data to be compared with the existing value of the CSR resource.

Internal Registers (continued)

CSR Control Register

The CSR compare register is used to access the bus management CSR registers from the host through compare-swap operations. This register contains the data to be compared with the existing value of the CSR resource.

Table 44. CSR Control Register

Bit	Field Name	Type	Default
31	csrDone	RU	1
30	Reserved	R	0
29		R	0
28		R	0
27		R	0
26		R	0
25		R	0
24		R	0
23		R	0
22		R	0
21		R	0
20		R	0
19		R	0
18		R	0
17		R	0
16		R	0
15		R	0
14		R	0
13		R	0
12		R	0
11		R	0
10		R	0
9		R	0
8		R	0
7		R	0
6		R	0
5		R	0
4		R	0
3		R	0
2	R	0	
1	csrSel	RW	X
0		RW	X

Register: CSR control register
 Type: Read/Write/Update
 Offset: 14h
 Default: 8000 000Xh

Internal Registers (continued)

Table 45. CSR Control Register Description

Bit	Field Name	Type	Description
31	csrDone	RU	This bit is set by the FW322 when a compare-swap operation is complete. It is reset whenever this register is written.
30:2	Reserved	R	Reserved. Bits 30:2 return 0s when read.
1:0	csrSel	RW	This field selects the CSR resource as follows: 00 = BUS_MANAGER_ID 01 = BANDWIDTH_AVAILABLE 10 = CHANNELS_AVAILABLE_HI 11 = CHANNELS_AVAILABLE_LO

Internal Registers (continued)

Configuration ROM Header Register

The configuration ROM header register externally maps to the first quadlet of the 1394 configuration ROM, offset 48'hFFFF_F000_0400.

Table 46. Configuration ROM Header Register

Bit	Field Name	Type	Default
31	info_length	RW	0
30		RW	0
29		RW	0
28		RW	0
27		RW	0
26		RW	0
25		RW	0
24		RW	0
23	crc_length	RW	0
22		RW	0
21		RW	0
20		RW	0
19		RW	0
18		RW	0
17		RW	0
16		RW	0
15	rom_crc_value	RW	X
14		RW	X
13		RW	X
12		RW	X
11		RW	X
10		RW	X
9		RW	X
8		RW	X
7		RW	X
6		RW	X
5		RW	X
4		RW	X
3		RW	X
2		RW	X
1		RW	X
0		RW	X

Register: Configuration ROM header register
 Type: Read/Write
 Offset: 18h
 Default: 0000 0000h

Internal Registers

Table 47. Configuration ROM Header Register Description

Bit	Field Name	Type	Description
31:24	info_length	RW	IEEE 1394 Bus Management Field. Must be valid when bit 17 (linkEnable) of the host controller control register is set.
23:16	crc_length	RW	IEEE 1394 Bus Management Field. Must be valid when bit 17 (linkEnable) of the host controller control register is set.
15:0	rom_crc_value	RW	IEEE 1394 Bus Management Field. Must be valid at any time bit 17 (linkEnable) of the host controller control register is set. If a serial ROM is present, then this field is loaded from the serial ROM.

Internal Registers (continued)

Bus Identification Register

The bus identification register externally maps to the first quadlet in the Bus_Info_Block, 1394 addressable at FFFF_F000_0404.

Table 48. Bus Identification Register

Bit	Field Name	Type	Default
31	busID	R	0
30		R	0
29		R	1
28		R	1
27		R	0
26		R	0
25		R	0
24		R	1
23		R	0
22		R	0
21		R	1
20		R	1
19		R	0
18		R	0
17		R	1
16		R	1
15		R	0
14		R	0
13		R	1
12		R	1
11		R	1
10		R	0
9		R	0
8		R	1
7		R	0
6		R	0
5		R	1
4		R	1
3		R	0
2		R	1
1		R	0
0		R	0

Register: Bus identification register
 Type: Read only
 Offset: 1Ch
 Default: 3133 3934h

Internal Registers (continued)

Table 49. Bus Identification Register Description

Bit	Field Name	Type	Description
31—0	busID	R	Contains the constant 32'h31333934, which is the ASCII value for 1394.

Internal Registers (continued)

Bus Options Register

The bus options register externally maps to the second quadlet of the Bus_Info_Block, 1394 addressable at FFFF_F000_0408.

Table 50. Bus Options Register

Bit	Field	Type	Default
31	irmc	RW	X
30	cmc	RW	X
29	isc	RW	X
28	bmc	RW	X
27	pmc	RW	0
26	Reserved	R	0
25		R	0
24		R	0
23	cyc_clk_acc	RW	X
22		RW	X
21		RW	X
20		RW	X
19		RW	X
18		RW	X
17		RW	X
16		RW	X
15	max_rec	RW	1
14		RW	0
13		RW	1
12		RW	0
11	Reserved	R	0
10		R	0
9		R	0
8		R	0
7	g	RW	X
6		RW	X
5	Reserved	R	0
4		R	0
3		R	0
2	Lnk_spd	R	0
1		R	1
0		R	0

Register: Bus options register
 Type: Read/Write
 Offset: 20h
 Default: 0000 A002h

Internal Registers (continued)

Table 51. Bus Options Register Description

Bit	Field Name	Type	Description
31	irmc	RW	Isochronous Resource Manager Capable. <i>IEEE</i> 1394 bus management field. Must be valid when bit 17 (linkEnable) of the host controller control register is set.
30	cmc	RW	Cycle Master Capable. <i>IEEE</i> 1394 bus management field. Must be valid when bit 17 (linkEnable) of the host controller control register is set.
29	isc	RW	Isochronous Support Capable. <i>IEEE</i> 1394 bus management field. Must be valid when bit 17 (linkEnable) of the host controller control register is set.
28	bmc	RW	Bus Manager Capable. <i>IEEE</i> 1394 bus management field. Must be valid when bit 17 (linkEnable) of the host controller control register is set.
27	pmc	RW	<i>IEEE</i> 1394 Bus Management Field. Must be valid when bit 17 (linkEnable) of the host controller control register is set.
26:24	Reserved	R	Reserved. Bits 26:24 return 0s when read.
23:16	cyc_clk_acc	RW	Cycle Master Clock Accuracy. (Accuracy in parts per million.) <i>IEEE</i> 1394 bus management field. Must be valid when bit 17 (linkEnable) of the host controller control register is set.
15:12	max_rec	RW	<i>IEEE</i> 1394 Bus Management Field. Hardware initializes this field to indicate the maximum number of bytes in a block request packet that is supported by the implementation. This value, max_rec_bytes, must be 512 greater and is calculated by $2^{(\text{max_rec} + 1)}$. Software may change this field; however, this field must be valid at any time bit 17 (linkEnable) of the host controller control register is set. A received block write request packet with a length greater than max_rec_bytes may generate an ack_type_error. This field is not affected by a soft reset, and defaults to value indicating 2048 bytes on a hard reset.
11:8	Reserved	R	Reserved. Bits 11:8 return 0s when read.
7:6	g	RW	Generation Counter. This field is incremented if any portion of the configuration ROM has been incremented since the prior bus reset.
5:3	Reserved	R	Reserved. Bits 5:3 return 0s when read.
2:0	Lnk_spd	R	Link Speed. This field returns 010, indicating that the link speeds of 100 Mbits/s, 200 Mbits/s, and 400 Mbits/s are supported.

Internal Registers (continued)

GUID High Register

The GUID high register represents the upper quadlet in a 64-bit global unique ID (GUID) which maps to the third quadlet in the Bus_Info_Block, 1394 addressable at FFFF_F000_0410. This register contains node_vendor_ID and chip_ID_hi fields. This register initializes to 0s on a hardware reset, which is an illegal GUID value. If a serial ROM is detected, then the contents of this register are loaded through the serial ROM interface after a PCI reset. At that point, the contents of this register cannot be changed. If no serial ROM is detected, then the contents of this register can be loaded with a PCI configuration write to offset 0x80. At that point, the contents of this register cannot be changed.

Table 52. GUID High Register

Bit	Field Name	Type	Default
31	node_vendor_ID	R	0
30		R	0
29		R	0
28		R	0
27		R	0
26		R	0
25		R	0
24		R	0
23		R	0
22		R	0
21		R	0
20		R	0
19		R	0
18		R	0
17		R	0
16		R	0
15		R	0
14		R	0
13	R	0	
12	R	0	
11	R	0	
10	R	0	
9	R	0	
8	R	0	
7	chip_ID_hi	R	0
6		R	0
5		R	0
4		R	0
3		R	0
2		R	0
1		R	0
0		R	0

Internal Registers (continued)

Register: GUID high register
Type: Read only
Offset: 24h
Default: 0000 0000h

Table 53. GUID High Register Description

Bit	Field Name	Type	Description
31:8	node_vendor_ID	R	<i>IEEE</i> 1394 Bus Management Fields.
7:0	chip_ID_hi	R	

Internal Registers (continued)

GUID Low Register

The GUID low register represents the lower quadlet in a 64-bit global unique ID (GUID) which maps to chip_ID_lo in the Bus_Info_Block, 1394 addressable at FFFF_F000_0414. This register initializes to 0s on a hardware reset and behaves identical to the GUID high register. If no serial ROM is detected, then the contents of this register can be loaded with a PCI configuration write to offset 0x84.

Table 54. GUID Low Register

Bit	Field Name	Type	Default
31	CHIP_ID_lo	R	0
30		R	0
29		R	0
28		R	0
27		R	0
26		R	0
25		R	0
24		R	0
23		R	0
22		R	0
21		R	0
20		R	0
19		R	0
18		R	0
17		R	0
16		R	0
15		R	0
14		R	0
13		R	0
12		R	0
11		R	0
10		R	0
9		R	0
8		R	0
7		R	0
6		R	0
5		R	0
4		R	0
3		R	0
2		R	0
1		R	0
0		R	0

Register: GUID low register
 Type: Read only
 Offset: 28h
 Default: 0000 0000h

Internal Registers (continued)

Table 55. GUID Low Register Description

Bit	Field Name	Type	Description
31:0	chip_ID_lo	R	<i>IEEE</i> 1394 Bus Management Fields.

Internal Registers (continued)

Configuration ROM Mapping Register

The configuration ROM mapping register contains the start address within system memory that maps to the start address of 1394 configuration ROM for this node.

Table 56. Configuration ROM Mapping Register

Bit	Field Name	Type	Default
31	configROMaddr	RW	0
30		RW	0
29		RW	0
28		RW	0
27		RW	0
26		RW	0
25		RW	0
24		RW	0
23		RW	0
22		RW	0
21		RW	0
20		RW	0
19		RW	0
18		RW	0
17		RW	0
16		RW	0
15		RW	0
14		RW	0
13		RW	0
12		RW	0
11	RW	0	
10	RW	0	
9	Reserved	R	0
8		R	0
7		R	0
6		R	0
5		R	0
4		R	0
3		R	0
2		R	0
1		R	0
0		R	0

Register: Configuration ROM mapping register
 Type: Read/Write
 Offset: 34h
 Default: 0000 0000h

Internal Registers (continued)

Table 57. Configuration ROM Mapping Register Description

Bit	Field Name	Type	Description
31:10	configROMaddr	RW	If a quadlet read request to 1394 offset 48'hFFFF_F000_0400 through offset 48'hFFFF_F000_07FF is received, then the low-order 10 bits of the offset are added to this register to determine the host memory address of the read request.
9:0	Reserved	R	Reserved. Bits 9:0 return 0s when read.

Internal Registers (continued)

Posted Write Address Low Register

The posted write address low register is used to communicate error information if a write request is posted and an error occurs while writing the posted data packet.

Table 58. Posted Write Address Low Register

Bit	Field Name	Type	Default
31	offsetLo	RU	X
30		RU	X
29		RU	X
28		RU	X
27		RU	X
26		RU	X
25		RU	X
24		RU	X
23		RU	X
22		RU	X
21		RU	X
20		RU	X
19		RU	X
18		RU	X
17		RU	X
16		RU	X
15		RU	X
14		RU	X
13		RU	X
12		RU	X
11		RU	X
10		RU	X
9		RU	X
8		RU	X
7		RU	X
6		RU	X
5		RU	X
4		RU	X
3		RU	X
2		RU	X
1		RU	X
0		RU	X

Register: Posted write address low register
 Type: Read/Update
 Offset: 38h
 Default: XXXX XXXXh

Internal Registers (continued)

Table 59. Posted Write Address Low Register Description

Bit	Field Name	Type	Description
31:0	offsetLo	RU	The lower 32 bits of the 1394 destination offset of the write request that failed.

Internal Registers (continued)

Posted Write Address High Register

The posted write address high register is used to communicate error information if a write request is posted and an error occurs while writing the posted data packet.

Table 60. Posted Write Address High Register

Bit	Field Name	Type	Default
31	sourceID	RU	X
30		RU	X
29		RU	X
28		RU	X
27		RU	X
26		RU	X
25		RU	X
24		RU	X
23		RU	X
22		RU	X
21		RU	X
20		RU	X
19		RU	X
18		RU	X
17		RU	X
16		RU	X
15	offsetHi	RU	X
14		RU	X
13		RU	X
12		RU	X
11		RU	X
10		RU	X
9		RU	X
8		RU	X
7		RU	X
6		RU	X
5		RU	X
4		RU	X
3		RU	X
2		RU	X
1		RU	X
0		RU	X

Register: Posted write address high register
 Type: Read/Update
 Offset: 3Ch
 Default: XXXX XXXXh

Internal Registers (continued)

Table 61. Posted Write Address High Register Description

Bit	Field Name	Type	Description
31:16	sourceID	RU	This field is the bus and node number of the node that issued the write request that failed.
15:0	offsetHi	RU	The upper 16 bits of the 1394 destination offset of the write request that failed.

Internal Registers (continued)

Vendor ID Register

The vendor ID register holds the company ID of an organization that specifies any vendor-unique registers.

Table 62. Vendor ID Register

Bit	Field Name	Type	Default
31	VendorUnique	R	0
30		R	0
29		R	0
28		R	0
27		R	0
26		R	0
25		R	0
24		R	0
23		R	0
22		R	0
21		R	0
20		R	0
19		R	0
18		R	0
17		R	0
16		R	0
15	VendorCompanyID	R	0
14		R	0
13		R	0
12		R	0
11		R	0
10		R	0
9		R	0
8		R	0
7		R	0
6		R	0
5		R	0
4		R	0
3		R	0
2		R	0
1		R	0
0		R	0

Register: Vendor ID register
 Type: Read only
 Offset: 40h
 Default: 0000 0000h

Internal Registers (continued)

Table 63. Vendor ID Register Description

Bit	Field Name	Type	Description
31:24	vendorUnique	R	Returns 0 when read, since the FW322 does not specify any vendor unique registers.
23:0	vendorCompanyID	R	Returns 0 when read, since the FW322 does not specify any vendor unique registers.

Internal Registers (continued)

Host Controller Control Register

The host controller control set/clear register pair provides flags for controlling the OHCI portion of the FW322.

Table 64. Host Controller Control Register

Bit	Field Name	Type	Default
31	Reserved	R	0
30	noByteSwapData	RSC	0
29	Reserved	R	0
28		R	0
27		R	0
26		R	0
25		R	0
24		R	0
23		programPhyEnable	RC
22	aPhyEnhancedEnable	RSC	0
21	Reserved	R	0
20		R	0
19	LPS	RS	0
18	postedWriteEnable	RSC	0
17	linkEnable	RSU	0
16	SoftReset	RSU	0
15	Reserved	R	0
14		R	0
13		R	0
12		R	0
11		R	0
10		R	0
9		R	0
8		R	0
7		R	0
6		R	0
5		R	0
4		R	0
3		R	0
2		R	0
1		R	0
0		R	0

Register: Host controller control register
 Type: Read/Set/Clear/Update
 Offset: 50h set register
 54h clear register
 Default: X00X 0000h

Internal Registers (continued)

Table 65. Host Controller Control Register Description

Bit	Field Name	Type	Description
31	Reserved	R	Reserved. Bit 31 returns 0 when read.
30	noByteSwapData	RSC	This bit is used to control byte swapping during host bus accesses involving the data portion of 1394 packets. Data is swapped if equal to 0, not swapped when equal to 1.
29:24	Reserved	R	Reserved. Bits 29:24 return 0s when read.
23	programPhyEnable	RC	This bit informs upper-level software that lower-level software has consistently configured the 1394a-2000 enhancements in the link and PHY core. When this bit is 1, generic software such as the OHCI driver is responsible for configuring 1394a-2000 enhancements in the PHY core and bit 22 (aPhyEnhanceEnable) in the FW322. When this bit is 0, the generic software may not modify the 1394a-2000 enhancements in the FW322 and cannot interpret the setting of bit 22 (aPhyEnhanceEnable). This bit is initialized from serial EEPROM.
22	aPhyEnhanceEnable	RSC	When bits 23 (programPhyEnable) and 17 (linkEnable) are 1, the OHCI driver can set this bit to use all 1394a-2000 enhancements. When bit 23 (programPhyEnable) is set to 0, the software does not change PHY enhancements or this bit.
21:20	Reserved	R	Reserved. Bits 21:20 return 0s when read.
19	LPS	RS	Link Power Status. This bit drives the LPS signal to the PHY core within the FW322.
18	postedWriteEnable	RSC	This bit is used to enable (1) or disable (0) posted writes. Software should change this bit only when bit 17 (linkEnable) is 0.
17	linkEnable	RSU	This bit is cleared to 0 by either a hardware or software reset. Software must set this bit to 1 when the system is ready to begin operation and then force a bus reset. This bit is necessary to keep other nodes from sending transactions before the local system is ready. When this bit is cleared, the FW322 is logically and immediately disconnected from the 1394 bus, no packets are received or processed, and no packets transmitted.
16	SoftReset	RSU	When this bit is set, all FW322 states are reset, all FIFOs are flushed, and all OHCI registers are set to their hardware reset values unless otherwise specified. PCI registers are not affected by this bit. This bit remains set while the softReset is in progress and reverts back to 0 when the reset has completed.
15:0	Reserved	R	Reserved. Bits 15:0 return 0s when read.

Internal Registers (continued)

The self-ID buffer pointer register points to the 2 Kbyte aligned base address of the buffer in host memory where the self-ID packets are stored during bus initialization. Bits 31:11 are read/write accessible.

Table 66. Self-ID Buffer Pointer Register

Bit	Field Name	Type	Default
31	SelfIDBufferPtr	RW	X
30		RW	X
29		RW	X
28		RW	X
27		RW	X
26		RW	X
25		RW	X
24		RW	X
23		RW	X
22		RW	X
21		RW	X
20		RW	X
19		RW	X
18		RW	X
17		RW	X
16		RW	X
15		RW	X
14		RW	X
13		RW	X
12	RW	X	
11	RW	X	
10	Reserved	R	0
9		R	0
8		R	0
7		R	0
6		R	0
5		R	0
4		R	0
3		R	0
2		R	0
1		R	0
0		R	0

Register: Self-ID buffer pointer register
 Type: Read/Write
 Offset: 64h
 Default: XXXX XX00h

Internal Registers (continued)

Table 67. Self-ID Buffer Pointer Register Description

Bit	Field Name	Type	Description
31:11	SelfIDBufferPtr	RW	Contains the 2 Kbyte aligned base address of the buffer in host memory where received self-ID packets are stored.
10:0	Reserved	R	Reserved.

Internal Registers (continued)

Self-ID Count Register

The self-ID buffer pointer register points to the 2 Kbyte aligned base address of the buffer in host memory where the self-ID packets are stored during bus initialization. Bits 31:11 are read/write accessible.

Table 68. Self-ID Count Register

Bit	Field Name	Type	Default
31	selfIDError	RU	X
30	Reserved	R	0
29		R	0
28		R	0
27		R	0
26		R	0
25		R	0
24		R	0
23		selfIDGeneration	RU
22	RU		X
21	RU		X
20	RU		X
19	RU		X
18	RU		X
17	RU		X
16	RU		X
15	Reserved	R	0
14		R	0
13		R	0
12		R	0
11		R	0
10	selfIDSize	RU	0
9		RU	0
8		RU	0
7		RU	0
6		RU	0
5		RU	0
4		RU	0
3		RU	0
2	RU	0	
1	Reserved	R	0
0		R	0

Register: Self-ID count register
 Type: Read/Write
 Offset: 68h
 Default: X0XX 0000h

Internal Registers (continued)

Table 69. Self-ID Count Register Description

Bit	Field Name	Type	Description
31	selfIDError	RU	When this bit is 1, an error was detected during the most recent self-ID packet reception. The contents of the self-ID buffer are undefined. This bit is cleared after a self-ID reception in which no errors are detected. Note that an error can be a hardware error or a host bus write error.
30:24	Reserved	R	Reserved. Bits 30:24 return 0s when read.
23:16	selfIDGeneration	RU	The value in this field increments each time a bus reset is detected. This field rolls over to 0 after reaching 255.
15:11	Reserved	R	Reserved. Bits 15:11 return 0s when read.
10:2	selfIDSize	RU	This field indicates the number of quadlets that have been written into the self-ID buffer for the current bits 23:16 (selfIDGeneration field). This includes the header quadlet and the self-ID data. This field is cleared to 0 when the self-ID reception begins.
1:0	Reserved	R	Reserved. Bits 1:0 return 0s when read.

Internal Registers (continued)

Isochronous Receive Channel Mask High Register

The isochronous receive channel mask high set/clear register is used to enable packet receives from the upper 32 isochronous data channels. A read from either the set register or clear register returns the content of the isochronous receive channel mask high register.

Table 70. Isochronous Receive Channel Mask High Register

Bit	Field Name	Type	Default
31	isoChannel63	RSC	X
30	isoChannel62	RSC	X
29	isoChannel61	RSC	X
28	isoChannel60	RSC	X
27	isoChannel59	RSC	X
26	isoChannel58	RSC	X
25	isoChannel57	RSC	X
24	isoChannel56	RSC	X
23	isoChannel55	RSC	X
22	isoChannel54	RSC	X
21	isoChannel53	RSC	X
20	isoChannel52	RSC	X
19	isoChannel51	RSC	X
18	isoChannel50	RSC	X
17	isoChannel49	RSC	X
16	isoChannel48	RSC	X
15	isoChannel47	RSC	X
14	isoChannel46	RSC	X
13	isoChannel45	RSC	X
12	isoChannel44	RSC	X
11	isoChannel43	RSC	X
10	isoChanne42l	RSC	X
9	isoChannel41	RSC	X
8	isoChannel40	RSC	X
7	isoChannel39	RSC	X
6	isoChannel38	RSC	X
5	isoChannel37	RSC	X
4	isoChannel36	RSC	X
3	isoChannel35	RSC	X
2	isoChannel34	RSC	X
1	isoChannel33	RSC	X
0	isoChannel32	RSC	X

Register: Isochronous receive channel mask high register
 Type: ReadSet/Clear
 Offset: 70h set register
 74h clear register
 Default: XXXX XXXXh

Internal Registers (continued)

Table 71. Isochronous Receive Channel Mask High Register Description

Bit	Field Name	Type	Description
31	isoChannel63	RSC	If bit 31 is set, iso channel number 63 is enabled.
30	isoChannel62	RSC	If bit 30 is set, iso channel number 62 is enabled.
29	isoChannel61	RSC	If bit 29 is set, iso channel number 61 is enabled.
28	isoChannel60	RSC	If bit 28 is set, iso channel number 60 is enabled.
27	isoChannel59	RSC	If bit 27 is set, iso channel number 59 is enabled.
26	isoChannel58	RSC	If bit 26 is set, iso channel number 58 is enabled.
25	isoChannel57	RSC	If bit 25 is set, iso channel number 57 is enabled.
24	isoChannel56	RSC	If bit 24 is set, iso channel number 56 is enabled.
23	isoChannel55	RSC	If bit 23 is set, iso channel number 55 is enabled.
22	isoChannel54	RSC	If bit 22 is set, iso channel number 54 is enabled.
21	isoChannel53	RSC	If bit 21 is set, iso channel number 53 is enabled.
20	isoChannel52	RSC	If bit 20 is set, iso channel number 52 is enabled.
19	isoChannel51	RSC	If bit 19 is set, iso channel number 51 is enabled.
18	isoChannel50	RSC	If bit 18 is set, iso channel number 50 is enabled.
17	isoChannel49	RSC	If bit 17 is set, iso channel number 49 is enabled.
16	isoChannel48	RSC	If bit 16 is set, iso channel number 48 is enabled.
15	isoChannel47	RSC	If bit 15 is set, iso channel number 47 is enabled.
14	isoChannel46	RSC	If bit 14 is set, iso channel number 46 is enabled.
13	isoChannel45	RSC	If bit 13 is set, iso channel number 45 is enabled.
12	isoChannel44	RSC	If bit 12 is set, iso channel number 44 is enabled.
11	isoChannel43	RSC	If bit 11 is set, iso channel number 43 is enabled.
10	isoChannel42	RSC	If bit 10 is set, iso channel number 42 is enabled.
9	isoChannel41	RSC	If bit 9 is set, iso channel number 41 is enabled.
8	isoChannel40	RSC	If bit 8 is set, iso channel number 40 is enabled.
7	isoChannel39	RSC	If bit 7 is set, iso channel number 39 is enabled.
6	isoChannel38	RSC	If bit 6 is set, iso channel number 38 is enabled.
5	isoChannel37	RSC	If bit 5 is set, iso channel number 37 is enabled.
4	isoChannel36	RSC	If bit 4 is set, iso channel number 36 is enabled.
3	isoChannel35	RSC	If bit 3 is set, iso channel number 35 is enabled.
2	isoChannel34	RSC	If bit 2 is set, iso channel number 34 is enabled.
1	isoChannel33	RSC	If bit 1 is set, iso channel number 33 is enabled.
0	isoChannel32	RSC	If bit 0 is set, iso channel number 32 is enabled.

Internal Registers (continued)

Isochronous Receive Channel Mask Low Register

The isochronous receive channel mask low set/clear register is used to enable packet receives from the lower 32 isochronous data channels.

Table 72. Isochronous Receive Channel Mask Low Register

Bit	Field Name	Type	Default
31	isoChannel31	RSC	X
30	isoChannel30	RSC	X
29	isoChannel29	RSC	X
28	isoChannel28	RSC	X
27	isoChannel27	RSC	X
26	isoChannel26	RSC	X
25	isoChannel25	RSC	X
24	isoChannel24	RSC	X
23	isoChannel23	RSC	X
22	isoChannel22	RSC	X
21	isoChannel21	RSC	X
20	isoChannel20	RSC	X
19	isoChannel19	RSC	X
18	isoChannel18	RSC	X
17	isoChannel17	RSC	X
16	isoChannel16	RSC	X
15	isoChannel15	RSC	X
14	isoChannel14	RSC	X
13	isoChannel13	RSC	X
12	isoChannel12	RSC	X
11	isoChannel11	RSC	X
10	isoChannel10	RSC	X
9	isoChannel9	RSC	X
8	isoChannel8	RSC	X
7	isoChannel7	RSC	X
6	isoChannel6	RSC	X
5	isoChannel5	RSC	X
4	isoChannel4	RSC	X
3	isoChannel3	RSC	X
2	isoChannel2	RSC	X
1	isoChannel1	RSC	X
0	isoChannel0	RSC	X

Register: Isochronous receive channel mask low register
 Type: ReadSet/Clear
 Offset: 78h set register
 7Ch clear register
 Default: XXXX XXXXh

Internal Registers (continued)

Table 73. Isochronous Receive Channel Mask Low Register Description

Bit	Field Name	Type	Description
31	isoChannel31	RSC	If bit 31 is set, iso channel number 31 is enabled.
30	isoChannel30	RSC	If bit 30 is set, iso channel number 30 is enabled.
29	isoChannel29	RSC	If bit 29 is set, iso channel number 29 is enabled.
28	isoChannel28	RSC	If bit 28 is set, iso channel number 28 is enabled.
27	isoChannel27	RSC	If bit 27 is set, iso channel number 27 is enabled.
26	isoChannel26	RSC	If bit 26 is set, iso channel number 26 is enabled.
25	isoChannel25	RSC	If bit 25 is set, iso channel number 25 is enabled.
24	isoChannel24	RSC	If bit 24 is set, iso channel number 24 is enabled.
23	isoChannel23	RSC	If bit 23 is set, iso channel number 23 is enabled.
22	isoChannel22	RSC	If bit 22 is set, iso channel number 22 is enabled.
21	isoChannel21	RSC	If bit 21 is set, iso channel number 21 is enabled.
20	isoChannel20	RSC	If bit 20 is set, iso channel number 20 is enabled.
19	isoChannel19	RSC	If bit 19 is set, iso channel number 19 is enabled.
18	isoChannel18	RSC	If bit 18 is set, iso channel number 18 is enabled.
17	isoChannel17	RSC	If bit 17 is set, iso channel number 17 is enabled.
16	isoChannel16	RSC	If bit 16 is set, iso channel number 16 is enabled.
15	isoChannel15	RSC	If bit 15 is set, iso channel number 15 is enabled.
14	isoChannel14	RSC	If bit 14 is set, iso channel number 14 is enabled.
13	isoChannel13	RSC	If bit 13 is set, iso channel number 13 is enabled.
12	isoChannel12	RSC	If bit 12 is set, iso channel number 12 is enabled.
11	isoChannel11	RSC	If bit 11 is set, iso channel number 11 is enabled.
10	isoChannel10	RSC	If bit 10 is set, iso channel number 10 is enabled.
9	isoChannel9	RSC	If bit 9 is set, iso channel number 9 is enabled.
8	isoChannel8	RSC	If bit 8 is set, iso channel number 8 is enabled.
7	isoChannel7	RSC	If bit 7 is set, iso channel number 7 is enabled.
6	isoChannel6	RSC	If bit 6 is set, iso channel number 6 is enabled.
5	isoChannel5	RSC	If bit 5 is set, iso channel number 5 is enabled.
4	isoChannel4	RSC	If bit 4 is set, iso channel number 4 is enabled.
3	isoChannel3	RSC	If bit 3 is set, iso channel number 3 is enabled.
2	isoChannel2	RSC	If bit 2 is set, iso channel number 2 is enabled.
1	isoChannel1	RSC	If bit 1 is set, iso channel number 1 is enabled.
0	isoChannel0	RSC	If bit 0 is set, iso channel number 0 is enabled.

Internal Registers (continued)**Interrupt Event Register**

The interrupt event set/clear register reflects the state of the various FW322 interrupt sources. The interrupt bits are set by an asserting edge of the corresponding interrupt signal or by writing a 1 in the corresponding bit in the set register. The only mechanism to clear the bits in this register is to write a 1 to the corresponding bit in the clear register. This register is fully compliant with OHCI, and the FW322 adds OHCI 1.0 compliant vendor-specific interrupt function to bit 30. When reading the interrupt event register, the return value is the bitwise AND function of the interrupt event and interrupt mask registers per the 1394 Open Host Controller Interface Specification.

Table 74. Interrupt Event Register

Bit	Field Name	Type	Default
31	Reserved	R	0
30	vendorSpecific	RSC	X
29	Reserved	R	0
28		R	0
27		R	0
26	phyRegRcvd	RSCU	X
25	cycleTooLong	RSCU	X
24	unrecoverableError	RSCU	X
23	cycleInconsistent	RSCU	X
22	cycleLost	RSCU	X
21	cycle64Seconds	RSCU	X
20	cycleSynch	RSCU	X
19	phy	RSCU	X
18	Reserved	R	0
17	busReset	RSCU	X
16	selfIDcomplete	RSCU	X
15	Reserved	R	0
14		R	0
13		R	0
12		R	0
11		R	0
10		R	0
9	lockRespErr	RSCU	X
8	postedWriteErr	RSCU	X
7	isochRx	RU	X
6	isochTx	RU	X
5	RSPkt	RSCU	X
4	RQPkt	RSCU	X
3	ARRS	RSCU	X
2	ARRQ	RSCU	X
1	respTxComplete	RSCU	X
0	reqTxComplete	RSCU	X

Internal Registers (continued)

Register: Interrupt event register
 Type: Read/Set/Clear/Update
 Offset: 80h set register
 84h clear register (returns the content of the interrupt event and interrupt mask registers when read)
 Default: XXXX 0XXXh

Table 75. Interrupt Event Register Description

Bit	Field Name	Type	Description
31	Reserved	R	Reserved. Bit 31 returns 0 when read.
30	vendorSpecific	RSC	This vendor-specific interrupt event is reported when serial ROM read is complete.
29:27	Reserved	R	Reserved. Bits 29:27 return 0s when read.
26	phyRegRcvd	RSCU	The FW322 has received a PHY core register data byte which can be read from the PHY core layer control register.
25	cycleTooLong	RSCU	If bit 21 (cycleMaster) of the link control register is set, then this indicates that over 125 ms have elapsed between the start of sending a cycle start packet and the end of a subaction gap. The link control register bit 21 (cycleMaster) is cleared by this event.
24	unrecoverableError	RSCU	This event occurs when the FW322 encounters any error that forces it to stop operations on any or all of its subunits, for example, when a DMA context sets its dead bit. While this bit is set, all normal interrupts for the context(s) that caused this interrupt are blocked from being set.
23	cycleInconsistent	RSCU	A cycle start was received that had values for cycleSeconds and cycleCount fields that are different from the values in bits 31:25 (cycleSeconds field) and bits 24:12 (cycleCount field) of the isochronous cycle timer register.
22	cycleLost	RSCU	A lost cycle is indicated when no cycle_start packet is sent/received between two successive cycleSynch events. A lost cycle can be predicted when a cycle_start packet does not immediately follow the first subaction gap after the cycleSynch event or if an arbitration reset gap is detected after a cycleSynch event without an intervening cycle start. This bit may be set either when it occurs or when logic predicts that it will occur.
21	cycle64Seconds	RSCU	Indicates that the seventh bit of the cycle second counter has changed.
20	cycleSynch	RSCU	Indicates that a new isochronous cycle has started. This bit is set when the low-order bit of the cycle count toggles.
19	PHY	RSCU	Indicates the PHY core requests an interrupt through a status transfer.
18	Reserved	R	Reserved. Bit 18 returns 0 when read.
17	busReset	RSCU	Indicates that the PHY core chip has entered bus reset mode.
16	selfIDcomplete	RSCU	A selfID Packet Stream Has Been Received. It is generated at the end of the bus initialization process. This bit is turned off simultaneously when bit 17 (busReset) is turned on.

Internal Registers (continued)

Table 75. Interrupt Event Register Description (continued)

Bit	Field Name	Type	Description
15:10	Reserved	RU	Reserved. Bits 15:10 return 0s when read.
9	lockRespErr	RU	Indicates that the FW322 sent a lock response for a lock request to a serial bus register, but did not receive an ack_complete.
8	postedWriteErr	RSCU	Indicates that a host bus error occurred while the FW322 was trying to write a 1394 write request, which had already been given an ack_complete, into system memory.
7	isochRx	RSCU	Isochronous Receive DMA Interrupt. Indicates that one or more isochronous receive contexts have generated an interrupt. This is not a latched event; it is the ORing of all bits in the isochronous receive interrupt event and isochronous receive interrupt mask registers. The isochronous receive interrupt event register indicates which contexts have interrupted.
6	isochTx	RSCU	Isochronous Transmit DMA Interrupt. Indicates that one or more isochronous transmit contexts have generated an interrupt. This is not a latched event; it is the ORing of all bits in the isochronous transmit interrupt event and isochronous transmit interrupt mask registers. The isochronous transmit interrupt event register indicates which contexts have interrupted.
5	RSPkt	RSCU	Indicates that a packet was sent to an asynchronous receive response context buffer and the descriptor's xferStatus and resCount fields have been updated.
4	RQPkt	RSCU	Indicates that a packet was sent to an asynchronous receive request context buffer and the descriptor's xferStatus and resCount fields have been updated.
3	ARRS	RSCU	Asynchronous Receive Response DMA Interrupt. This bit is conditionally set upon completion of an ARRS DMA context command descriptor.
2	ARRQ	RSCU	Asynchronous Receive Request DMA Interrupt. This bit is conditionally set upon completion of an ARRQ DMA context command descriptor.
1	respTxComplete	RSCU	Asynchronous Response Transmit DMA Interrupt. This bit is conditionally set upon completion of an ATRS DMA command.
0	reqTxComplete	RSCU	Asynchronous Request Transmit DMA Interrupt. This bit is conditionally set upon completion of an ATRQ DMA command.

Internal Registers (continued)

Interrupt Mask Register

The interrupt mask set/clear register is used to enable the various FW322 interrupt sources. Reads from either the set register or the clear register always return the contents of the interrupt mask register. In all cases except masterIntEnable (bit 31), the enables for each interrupt event align with the interrupt event register bits (see Tables 74 and 75). This register is fully compliant with OHCI, and the FW322 adds an OHCI 1.0 compliant interrupt function to bit 30.

Table 76. Interrupt Mask Register

Bit	Field Name	Type	Default
31	masterIntEnable	R	0
30	vendorSpecific	RSCU	X
29	Reserved	R	0
28		R	0
27		R	0
26	phyRegRcvd	RSCU	X
25	cycleTooLong	RSCU	X
24	unrecoverableError	RSCU	X
23	cycleInconsistent	RSCU	X
22	cycleLost	RSCU	X
21	cycle64Seconds	RSCU	X
20	cycleSynch	RSCU	X
19	PHY core	RSCU	X
18	Reserved	R	0
17	busReset	RSCU	X
16	selfIDcomplete	RSCU	X
15	Reserved	R	0
14		R	0
13		R	0
12		R	0
11		R	0
10		R	0
9	lockRespErr	RSCU	X
8	postedWriteErr	RSCU	X
7	isochRx	RU	X
6	isochTx	RU	X
5	RSPkt	RSCU	X
4	RQPkt	RSCU	X
3	ARRS	RSCU	X
2	ARRQ	RSCU	X
1	respTxComplete	RSCU	X
0	reqTxComplete	RSCU	X

Register: Interrupt mask register
 Type: Read/Set/Clear/Update
 Offset: 88h set register
 8Ch clear register
 Default: XXXX 0XXXh

Internal Registers (continued)

Table 77. Interrupt Mask Register Description

Bit	Field Name	Type	Description
31	masterIntEnable	RSCU	Master Interrupt Enable. If this bit is set, then external interrupts are generated in accordance with the interrupt mask register. If this bit is cleared, then external interrupts are not generated, regardless of the interrupt mask register settings.
30	vendorSpecific	RSC	When this bit is set, this vendor-specific interrupt mask enables interrupt generation when bit 30 (vendorSpecific) of the interrupt event register is set.
29:0	Same as Table 74, interrupt event register.		

Internal Registers (continued)

Isochronous Transmit Interrupt Event Register

The isochronous transmit interrupt event set/clear register reflects the interrupt state of the isochronous transmit contexts. An interrupt is generated on behalf of an isochronous transmit context if an OUTPUT_LAST command completes and its interrupt bits are set. Upon determining that the interrupt event register isoTx (bit 6) interrupt has occurred, software can check this register to determine which context(s) caused the interrupt. The interrupt bits are set by an asserting edge of the corresponding interrupt signal, or by writing a 1 in the corresponding bit in the set register. The only mechanism to clear the bits in this register is to write a 1 to the corresponding bit in the clear register.

Table 78. Isochronous Transmit Interrupt Event Register

Bit	Field Name	Type	Default
31	Reserved	R	0
30		R	0
29		R	0
28		R	0
27		R	0
26		R	0
25		R	0
24		R	0
23		R	0
22		R	0
21		R	0
20		R	0
19		R	0
18		R	0
17		R	0
16		R	0
15		R	0
14		R	0
13		R	0
12		R	0
11		R	0
10		R	0
9		R	0
8		R	0
7	isoXmit7	RSCU	X
6	isoXmit6	RSCU	X
5	isoXmit5	RSCU	X
4	isoXmit4	RSCU	X
3	isoXmit3	RSCU	X
2	isoXmit2	RSCU	X
1	isoXmit1	RSCU	X
0	isoXmit0	RSCU	X

Internal Registers (continued)

Register: Isochronous transmit interrupt event register
 Type: Read/Set/Clear
 Offset: 90h set register
 94h clear register (returns IsoXmitEvent and IsoXmitMask when read)
 Default: 0000 00XXh

Table 79. Isochronous Transmit Interrupt Event Register Description

Bit	Field Name	Type	Description
31:8	Reserved	R	Reserved. Bits 31:8 return 0s when read.
7	isoXmit7	RSCU	Isochronous transmit channel 7 caused the interrupt event register bit 6 (isochTx) interrupt.
6	isoXmit6	RSCU	Isochronous transmit channel 6 caused the interrupt event register bit 6 (isochTx) interrupt.
5	isoXmit5	RSCU	Isochronous transmit channel 5 caused the interrupt event register bit 6 (isochTx) interrupt.
4	isoXmit4	RSCU	Isochronous transmit channel 4 caused the interrupt event register bit 6 (isochTx) interrupt.
3	isoXmit3	RSCU	Isochronous transmit channel 3 caused the interrupt event register bit 6 (isochTx) interrupt.
2	isoXmit2	RSCU	Isochronous transmit channel 2 caused the interrupt event register bit 6 (isochTx) interrupt.
1	isoXmit1	RSCU	Isochronous transmit channel 1 caused the interrupt event register bit 6 (isochTx) interrupt.
0	isoXmit0	RSCU	Isochronous transmit channel 0 caused the interrupt event register bit 6 (isochTx) interrupt.

Internal Registers (continued)

Isochronous Transmit Interrupt Mask Register

The isochronous transmit interrupt mask set/clear register is used to enable the isoChTx interrupt source on a per-channel basis. Reads from either the set register or the clear register always return the contents of the isochronous transmit interrupt mask register. In all cases, the enables for each interrupt event align with the event register bits detailed in Table 81 and Table 82.

Table 80. Isochronous Transmit Interrupt Mask Register

Bit	Field Name	Type	Default
31	Reserved	R	0
30		R	0
29		R	0
28		R	0
27		R	0
26		R	0
25		R	0
24		R	0
23		R	0
22		R	0
21		R	0
20		R	0
19		R	0
18		R	0
17		R	0
16		R	0
15		R	0
14		R	0
13		R	0
12		R	0
11	R	0	
10	R	0	
9	R	0	
8	R	0	
7	isoXmit7	RSC	X
6	isoXmit6	RSC	X
5	isoXmit5	RSC	X
4	isoXmit4	RSC	X
3	isoXmit3	RSC	X
2	isoXmit2	RSC	X
1	isoXmit1	RSC	X
0	isoXmit0	RSC	X

Register: Isochronous transmit interrupt mask register
 Type: Read/Set/Clear
 Offset: 98h set register
 9Ch clear register (returns IsoXmitEvent and IsoXmitMask when read)
 Default: 0000 00XXh

Internal Registers (continued)

Isochronous Receive Interrupt Event Register

The isochronous receive interrupt event set/clear register reflects the interrupt state of the isochronous receive contexts. An interrupt is generated on behalf of an isochronous receive context if an INPUT_* command completes and its interrupt bits are set. Upon determining that the interrupt event register isoChRx (bit 7) interrupt has occurred, software can check this register to determine which context(s) caused the interrupt. The interrupt bits are set by an asserting edge of the corresponding interrupt signal, or by writing a 1 in the corresponding bit in the set register. The only mechanism to clear the bits in this register is to write a 1 to the corresponding bit in the clear register.

Table 81. Isochronous Receive Interrupt Event Register

Bit	Field Name	Type	Default	
31	Reserved	R	0	
30		R	0	
29		R	0	
28		R	0	
27		R	0	
26		R	0	
25		R	0	
24		R	0	
23		R	0	
22		R	0	
21		R	0	
20		R	0	
19		R	0	
18		R	0	
17		R	0	
16		R	0	
15		R	0	
14		R	0	
13		R	0	
12		R	0	
11		R	0	
10		R	0	
9		R	0	
8		R	0	
7		isoRecv7	RSCU	0
6		isoRecv6	RSCU	0
5		isoRecv5	RSCU	0
4		isoRecv4	RSCU	0
3	isoRecv3	RSCU	0	
2	isoRecv2	RSCU	0	
1	isoRecv1	RSCU	0	
0	isoRecv0	RSCU	0	

Internal Registers (continued)

Register: Isochronous receive interrupt event register
 Type: Read/Set/Clear/Update
 Offset: A0h set register
 A4h clear register
 Default: 0000 0000h

Table 82. Isochronous Receive Interrupt Event Description

Bit	Field Name	Type	Description
31:8	Reserved	R	Reserved. Bits 31:8 return 0s when read.
7	isoRecv7	RSCU	Isochronous receive context 7 caused the interrupt event register bit 7 (isochRx) interrupt.
6	isoRecv6	RSCU	Isochronous receive context 6 caused the interrupt event register bit 7 (isochRx) interrupt.
5	isoRecv5	RSCU	Isochronous receive context 5 caused the interrupt event register bit 7 (isochRx) interrupt.
4	isoRecv4	RSCU	Isochronous receive context 4 caused the interrupt event register bit 7 (isochRx) interrupt.
3	isoRecv3	RSCU	Isochronous receive context 3 caused the interrupt event register bit 7 (isochRx) interrupt.
2	isoRecv2	RSCU	Isochronous receive context 2 caused the interrupt event register bit 7 (isochRx) interrupt.
1	isoRecv1	RSCU	Isochronous receive context 1 caused the interrupt event register bit 7 (isochRx) interrupt.
0	isoRecv0	RSCU	Isochronous receive context 0 caused the interrupt event register bit 7 (isochRx) interrupt.

Internal Registers (continued)

Isochronous Receive Interrupt Mask Register

The isochronous receive interrupt mask set/clear register is used to enable the isoChRx interrupt source on a per-channel basis. Reads from either the set register or the clear register always return the contents of the isochronous transmit interrupt mask register. In all cases, the enables for each interrupt event align with the event register bits.

Table 83. Isochronous Receive Interrupt Mask Register

Bit	Field Name	Type	Default	
31	Reserved	R	0	
30		R	0	
29		R	0	
28		R	0	
27		R	0	
26		R	0	
25		R	0	
24		R	0	
23		R	0	
22		R	0	
21		R	0	
20		R	0	
19		R	0	
18		R	0	
17		R	0	
16		R	0	
15		R	0	
14		R	0	
13		R	0	
12		R	0	
11		R	0	
10		R	0	
9		R	0	
8		R	0	
7		isoRecv7	RSC	0
6		isoRecv6	RSC	0
5		isoRecv5	RSC	0
4		isoRecv4	RSC	0
3	isoRecv3	RSC	0	
2	isoRecv2	RSC	0	
1	isoRecv1	RSC	0	
0	isoRecv0	RSC	0	

Register: Isochronous receive interrupt mask register
 Type: Read/Set/Clear
 Offset: A8h set register
 ACh clear register
 Default: 0000 000Xh

Internal Registers (continued)

Fairness Control Register

The fairness control register provides a mechanism by which software can direct the host controller to transmit multiple asynchronous requests during a fairness interval.

Table 84. Fairness Control Register

Bit	Field Name	Type	Default
31	Reserved	R	0
30		R	0
29		R	0
28		R	0
27		R	0
26		R	0
25		R	0
24		R	0
23		R	0
22		R	0
21		R	0
20		R	0
19		R	0
18		R	0
17		R	0
16		R	0
15		R	0
14		R	0
13		R	0
12		R	0
11		R	0
10		R	0
9		R	0
8	R	0	
7	pri_req	RW	0
6		RW	0
5		RW	0
4		RW	0
3		RW	0
2		RW	0
1		RW	0
0		RW	0

Register: Fairness control register
 Type: Read only
 Offset: DCh
 Default: 0000 0000h

Internal Registers (continued)

Table 85. Fairness Control Register Description

Bit	Field Name	Type	Description
31:8	Reserved	R	Reserved. Bits 31:8 return 0s when read.
7:0	pri_req	RW	This field specifies the maximum number of priority arbitration requests for asynchronous request packets that the link is permitted to make of the PHY core during fairness interval.

Internal Registers (continued)

Link Control Register

The link control register provides flags to enable and configure the link core cycle timer and receiver portions of the FW322.

Table 86. Link Control Register

Bit	Field Name	Type	Default
31	Reserved	R	0
30		R	0
29		R	0
28		R	0
27		R	0
26		R	0
25		R	0
24		R	0
23		R	0
22		cycleSource	R
21	cycleMaster	R	0
20	CycleTimerEnable	R	0
19	Reserved	R	0
18		R	0
17		R	0
16		R	0
15		R	0
14		R	0
13		R	0
12		R	0
11		R	0
10		RcvPhyPkt	R
9	RcvSelfID	R	0
8	Reserved	R	0
7		R	0
6		R	0
5		R	0
4		R	0
3		R	0
2		R	0
1		R	0
0		R	0

Register: Link control register
 Type: Read/Set/Clear/Update
 Offset: E0h set register
 E4h clear register
 Default: 00X0 0X00h

Internal Registers (continued)**Table 87. Link Control Register Description**

Bit	Field Name	Type	Description
31:23	Reserved	R	Reserved. Bits 31:23 return 0s when read.
22	cycleSource	RSC	Set to 0, since the FW322 does not support an external cycle timer.
21	cycleMaster	RSCU	When this bit is set, and the PHY core has notified the FW322 that it is root, the FW322 generates a cycle start packet every time the cycle timer rolls over, based on the setting of bit 22. When this bit is cleared, the OHCI accepts received cycle start packets to maintain synchronization with the node which is sending them. This bit is automatically reset when bit 25 (cycleTooLong) of the interrupt event register is set and cannot be set until bit 25 (cycleTooLong) is cleared.
20	CycleTimerEnable	RSC	When this bit is set, the cycle timer offset counts cycles of the 24.576 MHz clock and rolls over at the appropriate time based on the settings of the above bits. When this bit is cleared, the cycle timer offset does not count.
19:11	Reserved	R	Reserved. Bits 19:11 return 0s when read.
10	RcvPhyPkt	RSC	When this bit is set, the receiver accepts incoming PHY core packets into the AR request context if the AR request context is enabled. This does not control receipt of self-identification.
9	RcvSelfID	RSC	When this bit is set, the receiver accepts incoming self-identification packets. Before setting this bit to 1, software must ensure that the self-ID buffer pointer register contains a valid address.
8:0	Reserved	R	Reserved. Bits 8:0 return 0s when read.

Internal Registers (continued)

Node Identification Register

The node identification register contains the address of the node on which the OHCI resides, and indicates the valid node number status. The 16-bit combination of the busNumber field (bits 15:6) and the NodeNumber field (bits 5:0) is referred to as the node ID.

Table 88. Node Identification Register

Bit	Field Name	Type	Default
31	IDValid	RU	0
30	root	RU	0
29	Reserved	R	0
28		R	0
27	CPS	RU	0
26	Reserved	R	0
25		R	0
24		R	0
23		R	0
22		R	0
21		R	0
20		R	0
19		R	0
18		R	0
17		R	0
16		R	0
15	busNumber	RWU	1
14		RWU	1
13		RWU	1
12		RWU	1
11		RWU	1
10		RWU	1
9		RWU	1
8		RWU	1
7	NodeNumber	RWU	1
6		RWU	1
5		RU	0
4		RU	0
3		RU	0
2		RU	0
1		RU	0
0	RU	0	

Register: Node identification register
 Type: Read/Write/Update
 Offset: E8h
 Default: 0000 FFXXh

Internal Registers (continued)

Table 89. Node Identification Register Description

Bit	Field Name	Type	Description
31	iDValid	RU	This bit indicates whether or not the FW322 has a valid node number. It is cleared when a 1394 bus reset is detected and set when the FW322 receives a new node number from the PHY core.
30	root	RU	This bit is set during the bus reset process if the attached PHY core is root.
29:28	Reserved	R	Reserved. Bits 29:28 return 0s when read.
27	CPS	RU	Set if the PHY core is reporting that cable power status is OK.
26:16	Reserved	R	Reserved. Bits 26:16 return 0s when read.
15:6	busNumber	RWU	This number is used to identify the specific 1394 bus the FW322 belongs to when multiple 1394-compatible buses are connected via a bridge.
5:0	NodeNumber	RU	This number is the physical node number established by the PHY core during self-identification. It is automatically set to the value received from the PHY core after the self-identification phase. If the PHY core sets the nodeNumber to 63, then software should not set ContextControl.run for either of the AT DMA contexts.

Internal Registers (continued)

PHY Core Layer Control Register

The PHY core layer control register is used to read or write a PHY core register.

Table 90. PHY Core Layer Control Register

Bit	Field Name	Type	Default
31	rdDone	RU	0
30	Reserved	R	0
29		R	0
28		R	0
27	rdAddr	RU	0
26		RU	0
25		RU	0
24		RU	0
23	rdData	RU	0
22		RU	0
21		RU	0
20		RU	0
19		RU	0
18		RU	0
17		RU	0
16		RU	0
15	rdReg	RWU	0
14	wrReg	RWU	0
13	Reserved	R	0
12		R	0
11	regAddr	RW	0
10		RW	0
9		RW	0
8		RW	0
7	wrData	RW	0
6		RW	0
5		RW	0
4		RW	0
3		RW	0
2		RW	0
1		RW	0
0		RW	0

Register: PHY core layer control register
 Type: Read/Write/Update
 Offset: ECh
 Default: 0000 0000h

Internal Registers (continued)

Table 91. PHY Core Layer Control Register Description

Bit	Field Name	Type	Description
31	rdDone	RU	This bit is cleared to 0 by the FW322 when either bit 15 (rdReg) or bit 14 (wrReg) is set. This bit is set when a register transfer is received from the PHY core.
30:28	Reserved	R	Reserved. Bits 30:28 return 0s when read.
27:24	rdAddr	RU	This is the address of the register most recently received from the PHY core.
23:16	rdData	RU	This field is the contents of a PHY core register which has been read.
15	rdReg	RWU	This bit is set by software to initiate a read request to a PHY core register and is cleared by hardware when the request has been sent. Bit 14 wrReg and bit 15 rdReg must be used exclusively.
14	wrReg	RWU	This bit is set by software to initiate a write request to a PHY core register and is cleared by hardware when the request has been sent. Bit 14 (wrReg) and bit 15 (rdReg) must be used exclusively.
13:12	Reserved	R	Reserved. Bits 13:12 return 0s when read.
11:8	regAddr	RW	This field is the address of the PHY core register to be written or read.
7:0	wrData	RW	This field is the data to be written to a PHY core register and is ignored for reads.

Internal Registers (continued)

Isochronous Cycle Timer Register

The isochronous cycle timer register indicates the current cycle number and offset. When the FW322 is cycle master, this register is transmitted with the cycle start message. When the FW322 is not cycle master, this register is loaded with the data field in an incoming cycle start. In the event that the cycle start message is not received, the fields can continue incrementing on their own (if programmed) to maintain a local time reference.

Table 92. Isochronous Cycle Timer Register

Bit	Field Name	Type	Default
31	cycleSeconds	RWU	0
30		RWU	0
29		RWU	0
28		RWU	0
27		RWU	0
26		RWU	0
25		RWU	0
24	cycleCount	RWU	0
23		RWU	0
22		RWU	0
21		RWU	0
20		RWU	0
19		RWU	0
18		RWU	0
17		RWU	0
16		RWU	0
15		RWU	0
14		RWU	0
13	cycleOffset	RWU	0
12		RWU	0
11		RWU	0
10		RWU	0
9		RWU	0
8		RWU	0
7		RWU	0
6		RWU	0
5		RWU	0
4		RWU	0
3		RWU	0
2	RWU	0	
1	RWU	0	
0	RWU	0	

Internal Registers (continued)

Register: Isochronous cycle timer register
 Type: Read/Write/Update
 Offset: F0h
 Default: XXXX XXXXh

Table 93. Isochronous Cycle Timer Register Description

Bit	Field Name	Type	Description
31:25	cycleSeconds	RWU	This field counts seconds [rollovers from bits 24:12 (cycleCount field)] modulo 128.
24:12	cycleCount	RWU	This field counts cycles [rollovers from bits 11:0 (cycleOffset field)] modulo 8000.
11:0	cycleOffset	RWU	This field counts 24.576 MHz clocks modulo 3072, i.e., 125 ms. If an external 8 kHz clock configuration is being used, then this bit must be set to 0 at each tick of the external clock.

Internal Registers (continued)

Asynchronous Request Filter High Register

The asynchronous request filter high set/clear register is used to enable asynchronous receive requests on a per-node basis, and handles the upper node IDs. When a packet is destined for either the physical request context or the ARRQ context, the source node ID is examined. If the bit corresponding to the node ID is not set in this register, then the packet is not acknowledged and the request is not queued. The node ID comparison is done if the source node is on the same bus as the FW322. All nonlocal bus sourced packets are not acknowledged unless bit 31 in this register is set.

Table 94. Asynchronous Request Filter High Register

Bit	Field Name	Type	Default
31	asynReqAllBuses	RSC	0
30	asynReqResource62	RSC	0
29	asynReqResource61	RSC	0
28	asynReqResource60	RSC	0
27	asynReqResource59	RSC	0
26	asynReqResource58	RSC	0
25	asynReqResource57	RSC	0
24	asynReqResource56	RSC	0
23	asynReqResource55	RSC	0
22	asynReqResource54	RSC	0
21	asynReqResource53	RSC	0
20	asynReqResource52	RSC	0
19	asynReqResource51	RSC	0
18	asynReqResource50	RSC	0
17	asynReqResource49	RSC	0
16	asynReqResource48	RSC	0
15	asynReqResource47	RSC	0
14	asynReqResource46	RSC	0
13	asynReqResource45	RSC	0
12	asynReqResource44	RSC	0
11	asynReqResource43	RSC	0
10	asynReqResource42	RSC	0
9	asynReqResource41	RSC	0
8	asynReqResource40	RSC	0
7	asynReqResource39	RSC	0
6	asynReqResource38	RSC	0
5	asynReqResource37	RSC	0
4	asynReqResource36	RSC	0
3	asynReqResource35	RSC	0
2	asynReqResource34	RSC	0
1	asynReqResource33	RSC	0
0	asynReqResource32	RSC	0

Internal Registers (continued)

Register: Asynchronous request filter high register
 Type: ReadSet/Clear
 Offset: 100h set register
 104h clear register
 Default: 0000 0000h

Table 95. Asynchronous Request Filter High Register Description

Bit	Field Name	Type	Description
31	asynReqAllBuses	RSC	If this bit is set, then all asynchronous requests received by the FW322 from nonlocal bus nodes are accepted.
30	asynReqResource62	RSC	If this bit is set, then asynchronous requests received from node 62 on local bus are accepted by FW322.
29	asynReqResource61	RSC	If this bit is set, then asynchronous requests received from node 61 on local bus are accepted by FW322.
28	asynReqResource60	RSC	If this bit is set, then asynchronous requests received from node 60 on local bus are accepted by FW322.
27	asynReqResource59	RSC	If this bit is set, then asynchronous requests received from node 59 on local bus are accepted by FW322.
26	asynReqResource58	RSC	If this bit is set, then asynchronous requests received from node 58 on local bus are accepted by FW322.
25	asynReqResource57	RSC	If this bit is set, then asynchronous requests received from node 57 on local bus are accepted by FW322.
24	asynReqResource56	RSC	If this bit is set, then asynchronous requests received from node 56 on local bus are accepted by FW322.
23	asynReqResource55	RSC	If this bit is set, then asynchronous requests received from node 55 on local bus are accepted by FW322.
22	asynReqResource54	RSC	If this bit is set, then asynchronous requests received from node 54 on local bus are accepted by FW322.
21	asynReqResource53	RSC	If this bit is set, then asynchronous requests received from node 53 on local bus are accepted by FW322.
20	asynReqResource52	RSC	If this bit is set, then asynchronous requests received from node 52 on local bus are accepted by FW322.
19	asynReqResource51	RSC	If this bit is set, then asynchronous requests received from node 51 on local bus are accepted by FW322.
18	asynReqResource50	RSC	If this bit is set, then asynchronous requests received from node 50 on local bus are accepted by FW322.
17	asynReqResource49	RSC	If this bit is set, then asynchronous requests received from node 49 on local bus are accepted by FW322.
16	asynReqResource48	RSC	If this bit is set, then asynchronous requests received from node 48 on local bus are accepted by FW322.
15	asynReqResource47	RSC	If this bit is set, then asynchronous requests received from node 47 on local bus are accepted by FW322.
14	asynReqResource46	RSC	If this bit is set, then asynchronous requests received from node 46 on local bus are accepted by FW322.
13	asynReqResource45	RSC	If this bit is set, then asynchronous requests received from node 45 on local bus are accepted by FW322.

Internal Registers (continued)

Table 95. Asynchronous Request Filter High Register Description (continued)

Bit	Field Name	Type	Description
12	asynReqResource44	RSC	If this bit is set, then asynchronous requests received from node 44 on local bus are accepted by FW322.
11	asynReqResource43	RSC	If this bit is set, then asynchronous requests received from node 43 on local bus are accepted by FW322.
10	asynReqResource42	RSC	If this bit is set, then asynchronous requests received from node 42 on local bus are accepted by FW322.
9	asynReqResource41	RSC	If this bit is set, then asynchronous requests received from node 41 on local bus are accepted by FW322.
8	asynReqResource40	RSC	If this bit is set, then asynchronous requests received from node 40 on local bus are accepted by FW322.
7	asynReqResource39	RSC	If this bit is set, then asynchronous requests received from node 39 on local bus are accepted by FW322.
6	asynReqResource38	RSC	If this bit is set, then asynchronous requests received from node 38 on local bus are accepted by FW322.
5	asynReqResource37	RSC	If this bit is set, then asynchronous requests received from node 37 on local bus are accepted by FW322.
4	asynReqResource36	RSC	If this bit is set, then asynchronous requests received from node 36 on local bus are accepted by FW322.
3	asynReqResource35	RSC	If this bit is set, then asynchronous requests received from node 35 on local bus are accepted by FW322.
2	asynReqResource34	RSC	If this bit is set, then asynchronous requests received from node 34 on local bus are accepted by FW322.
1	asynReqResource33	RSC	If this bit is set, then asynchronous requests received from node 33 on local bus are accepted by FW322.
0	asynReqResource32	RSC	If this bit is set, then asynchronous requests received from node 32 on local bus are accepted by FW322.

Internal Registers (continued)**Asynchronous Request Filter Low Register**

The asynchronous request filter low set/clear register is used to enable asynchronous receive requests on a per-node basis, and handles the lower node IDs. Other than filtering different node IDs, this register behaves identically to the asynchronous request filter high register.

Table 96. Asynchronous Request Filter Low Register

Bit	Field Name	Type	Default
31	asynReqResource31	RSC	0
30	asynReqResource30	RSC	0
29	asynReqResource29	RSC	0
28	asynReqResource28	RSC	0
27	asynReqResource27	RSC	0
26	asynReqResource26	RSC	0
25	asynReqResource25	RSC	0
24	asynReqResource24	RSC	0
23	asynReqResource23	RSC	0
22	asynReqResource22	RSC	0
21	asynReqResource21	RSC	0
20	asynReqResource20	RSC	0
19	asynReqResource19	RSC	0
18	asynReqResource18	RSC	0
17	asynReqResource17	RSC	0
16	asynReqResource16	RSC	0
15	asynReqResource15	RSC	0
14	asynReqResource14	RSC	0
13	asynReqResource13	RSC	0
12	asynReqResource12	RSC	0
11	asynReqResource11	RSC	0
10	asynReqResource10	RSC	0
9	asynReqResource9	RSC	0
8	asynReqResource8	RSC	0
7	asynReqResource7	RSC	0
6	asynReqResource6	RSC	0
5	asynReqResource5	RSC	0
4	asynReqResource4	RSC	0
3	asynReqResource3	RSC	0
2	asynReqResource2	RSC	0
1	asynReqResource1	RSC	0
0	asynReqResource0	RSC	0

Register: Asynchronous request filter low register
 Type: ReadSet/Clear
 Offset: 108h set register
 10Ch clear register
 Default: 0000 0000h

Internal Registers (continued)

Table 97. Asynchronous Request Filter Low Register Description

Bit	Field Name	Type	Description
31	asynReqResource31	RSC	If this bit is set for local bus node number 31, then asynchronous requests received by the FW322 from that node are accepted.
30	asynReqResource30	RSC	If this bit is set for local bus node number 30, then asynchronous requests received by the FW322 from that node are accepted.
29	asynReqResource29	RSC	If this bit is set for local bus node number 29, then asynchronous requests received by the FW322 from that node are accepted.
28	asynReqResource28	RSC	If this bit is set for local bus node number 28, then asynchronous requests received by the FW322 from that node are accepted.
27	asynReqResource27	RSC	If this bit is set for local bus node number 27, then asynchronous requests received by the FW322 from that node are accepted.
26	asynReqResource26	RSC	If this bit is set for local bus node number 26, then asynchronous requests received by the FW322 from that node are accepted.
25	asynReqResource25	RSC	If this bit is set for local bus node number 25, then asynchronous requests received by the FW322 from that node are accepted.
24	asynReqResource24	RSC	If this bit is set for local bus node number 24, then asynchronous requests received by the FW322 from that node are accepted.
23	asynReqResource23	RSC	If this bit is set for local bus node number 23, then asynchronous requests received by the FW322 from that node are accepted.
22	asynReqResource22	RSC	If this bit is set for local bus node number 22, then asynchronous requests received by the FW322 from that node are accepted.
21	asynReqResource21	RSC	If this bit is set for local bus node number 21, then asynchronous requests received by the FW322 from that node are accepted.
20	asynReqResource20	RSC	If this bit is set for local bus node number 20, then asynchronous requests received by the FW322 from that node are accepted.
19	asynReqResource19	RSC	If this bit is set for local bus node number 19, then asynchronous requests received by the FW322 from that node are accepted.
18	asynReqResource18	RSC	If this bit is set for local bus node number 18, then asynchronous requests received by the FW322 from that node are accepted.
17	asynReqResource17	RSC	If this bit is set for local bus node number 17, then asynchronous requests received by the FW322 from that node are accepted.
16	asynReqResource16	RSC	If this bit is set for local bus node number 16, then asynchronous requests received by the FW322 from that node are accepted.
15	asynReqResource15	RSC	If this bit is set for local bus node number 15, then asynchronous requests received by the FW322 from that node are accepted.
14	asynReqResource14	RSC	If this bit is set for local bus node number 14, then asynchronous requests received by the FW322 from that node are accepted.
13	asynReqResource13	RSC	If this bit is set for local bus node number 13, then asynchronous requests received by the FW322 from that node are accepted.
12	asynReqResource12	RSC	If this bit is set for local bus node number 12, then asynchronous requests received by the FW322 from that node are accepted.
11	asynReqResource11	RSC	If this bit is set for local bus node number 11, then asynchronous requests received by the FW322 from that node are accepted.
10	asynReqResource10	RSC	If this bit is set for local bus node number 10, then asynchronous requests received by the FW322 from that node are accepted.

Internal Registers (continued)**Table 97. Asynchronous Request Filter Low Register Description** (continued)

Bit	Field Name	Type	Description
9	asynReqResource9	RSC	If this bit is set for local bus node number 9, then asynchronous requests received by the FW322 from that node are accepted.
8	asynReqResource19	RSC	If this bit is set for local bus node number 8, then asynchronous requests received by the FW322 from that node are accepted.
7	asynReqResource18	RSC	If this bit is set for local bus node number 7, then asynchronous requests received by the FW322 from that node are accepted.
6	asynReqResource17	RSC	If this bit is set for local bus node number 6, then asynchronous requests received by the FW322 from that node are accepted.
5	asynReqResource16	RSC	If this bit is set for local bus node number 5, then asynchronous requests received by the FW322 from that node are accepted.
4	asynReqResource15	RSC	If this bit is set for local bus node number 4, then asynchronous requests received by the FW322 from that node are accepted.
3	asynReqResource14	RSC	If this bit is set for local bus node number 3, then asynchronous requests received by the FW322 from that node are accepted.
2	asynReqResource13	RSC	If this bit is set for local bus node number 2, then asynchronous requests received by the FW322 from that node are accepted.
1	asynReqResource12	RSC	If this bit is set for local bus node number 1, then asynchronous requests received by the FW322 from that node are accepted.
0	asynReqResource11	RSC	If this bit is set for local bus node number 0, then asynchronous requests received by the FW322 from that node are accepted.

Internal Registers (continued)

Physical Request Filter High Register

The physical request filter high set/clear register is used to enable physical receive requests on a per-node basis and handles the upper node IDs. When a packet is destined for the physical request context and the node ID has been compared against the ARRQ registers, then the comparison is done again with this register. If the bit corresponding to the node ID is not set in this register, then the request is handled by the ARRQ context instead of the physical request context.

Table 98. Physical Request Filter High Register

Bit	Field Name	Type	Default
31	physReqAllBuses	RSC	0
30	physReqResource62	RSC	0
29	physReqResource61	RSC	0
28	physReqResource60	RSC	0
27	physReqResource59	RSC	0
26	physReqResource58	RSC	0
25	physReqResource57	RSC	0
24	physReqResource56	RSC	0
23	physReqResource55	RSC	0
22	physReqResource54	RSC	0
21	physReqResource53	RSC	0
20	physReqResource52	RSC	0
19	physReqResource51	RSC	0
18	physReqResource50	RSC	0
17	physReqResource49	RSC	0
16	physReqResource48	RSC	0
15	physReqResource47	RSC	0
14	physReqResource46	RSC	0
13	physReqResource45	RSC	0
12	physReqResource44	RSC	0
11	physReqResource43	RSC	0
10	physReqResource42	RSC	0
9	physReqResource41	RSC	0
8	physReqResource40	RSC	0
7	physReqResource39	RSC	0
6	physReqResource38	RSC	0
5	physReqResource37	RSC	0
4	physReqResource36	RSC	0
3	physReqResource35	RSC	0
2	physReqResource34	RSC	0
1	physReqResource33	RSC	0
0	physReqResource32	RSC	0

Register: Physical request filter high register
 Type: ReadSet/Clear
 Offset: 100h set register
 104h clear register
 Default: 0000 0000h

Internal Registers (continued)**Table 99. Physical Request Filter High Register Description**

Bit	Field Name	Type	Description
31	physReqAllBuses	RSC	If this bit is set, then all asynchronous requests received by the FW322 from nonlocal bus nodes are accepted.
30	physReqResource62	RSC	If this bit is set, requests received by the FW322 from local bus node 62 will be handled through the physical request context.
29	physReqResource61	RSC	If this bit is set, requests received by the FW322 from local bus node 61 will be handled through the physical request context.
28	physReqResource60	RSC	If this bit is set, requests received by the FW322 from local bus node 60 will be handled through the physical request context.
27	physReqResource59	RSC	If this bit is set, requests received by the FW322 from local bus node 59 will be handled through the physical request context.
26	physReqResource58	RSC	If this bit is set, requests received by the FW322 from local bus node 58 will be handled through the physical request context.
25	physReqResource57	RSC	If this bit is set, requests received by the FW322 from local bus node 57 will be handled through the physical request context.
24	physReqResource56	RSC	If this bit is set, requests received by the FW322 from local bus node 56 will be handled through the physical request context.
23	physReqResource55	RSC	If this bit is set, requests received by the FW322 from local bus node 55 will be handled through the physical request context.
22	physReqResource54	RSC	If this bit is set, requests received by the FW322 from local bus node 54 will be handled through the physical request context.
21	physReqResource53	RSC	If this bit is set, requests received by the FW322 from local bus node 53 will be handled through the physical request context.
20	physReqResource52	RSC	If this bit is set, requests received by the FW322 from local bus node 52 will be handled through the physical request context.
19	physReqResource51	RSC	If this bit is set, requests received by the FW322 from local bus node 51 will be handled through the physical request context.
18	physReqResource50	RSC	If this bit is set, requests received by the FW322 from local bus node 50 will be handled through the physical request context.
17	physReqResource49	RSC	If this bit is set, requests received by the FW322 from local bus node 49 will be handled through the physical request context.
16	physReqResource48	RSC	If this bit is set, requests received by the FW322 from local bus node 48 will be handled through the physical request context.
15	physReqResource47	RSC	If this bit is set, requests received by the FW322 from local bus node 47 will be handled through the physical request context.
14	physReqResource46	RSC	If this bit is set, requests received by the FW322 from local bus node 46 will be handled through the physical request context.
13	physReqResource45	RSC	If this bit is set, requests received by the FW322 from local bus node 45 will be handled through the physical request context.
12	physReqResource44	RSC	If this bit is set, requests received by the FW322 from local bus node 44 will be handled through the physical request context.
11	physReqResource43	RSC	If this bit is set, requests received by the FW322 from local bus node 43 will be handled through the physical request context.
10	physReqResource42	RSC	If this bit is set, requests received by the FW322 from local bus node 42 will be handled through the physical request context.

Internal Registers (continued)

Table 99. Physical Request Filter High Register Description (continued)

Bit	Field Name	Type	Description
9	physReqResource41	RSC	If this bit is set, requests received by the FW322 from local bus node 41 will be handled through the physical request context.
8	physReqResource40	RSC	If this bit is set, requests received by the FW322 from local bus node 40 will be handled through the physical request context.
7	physReqResource41	RSC	If this bit is set, requests received by the FW322 from local bus node 39 will be handled through the physical request context.
6	physReqResource40	RSC	If this bit is set, requests received by the FW322 from local bus node 38 will be handled through the physical request context.
5	physReqResource37	RSC	If this bit is set, requests received by the FW322 from local bus node 37 will be handled through the physical request context.
4	physReqResource36	RSC	If this bit is set, requests received by the FW322 from local bus node 36 will be handled through the physical request context.
3	physReqResource35	RSC	If this bit is set, requests received by the FW322 from local bus node 35 will be handled through the physical request context.
2	physReqResource34	RSC	If this bit is set, requests received by the FW322 from local bus node 34 will be handled through the physical request context.
1	physReqResource33	RSC	If this bit is set, requests received by the FW322 from local bus node 33 will be handled through the physical request context.
0	physReqResource32	RSC	If this bit is set, requests received by the FW322 from local bus node 32 will be handled through the physical request context.

Internal Registers (continued)**Physical Request Filter Low Register**

The physical request filter low set/clear register is used to enable physical receive requests on a per-node basis and handle the lower node IDs. When a packet is destined for the physical request context and the node ID has been compared against the asynchronous request filter registers, then the node ID comparison is done again with this register. If the bit corresponding to the node ID is not set in this register, then the request is handled by the asynchronous request context instead of the physical request context.

Table 100. Physical Request Filter Low Register

Bit	Field Name	Type	Default
31	physReqResource31	RSC	0
30	physReqResource30	RSC	0
29	physReqResource29	RSC	0
28	physReqResource28	RSC	0
27	physReqResource27	RSC	0
26	physReqResource26	RSC	0
25	physReqResource25	RSC	0
24	physReqResource24	RSC	0
23	physReqResource23	RSC	0
22	physReqResource22	RSC	0
21	physReqResource21	RSC	0
20	physReqResource20	RSC	0
19	physReqResource19	RSC	0
18	physReqResource18	RSC	0
17	physReqResource17	RSC	0
16	physReqResource16	RSC	0
15	physReqResource15	RSC	0
14	physReqResource14	RSC	0
13	physReqResource13	RSC	0
12	physReqResource12	RSC	0
11	physReqResource11	RSC	0
10	physReqResource10	RSC	0
9	physReqResource9	RSC	0
8	physReqResource8	RSC	0
7	physReqResource7	RSC	0
6	physReqResource6	RSC	0
5	physReqResource5	RSC	0
4	physReqResource4	RSC	0
3	physReqResource3	RSC	0
2	physReqResource2	RSC	0
1	physReqResource1	RSC	0
0	physReqResource0	RSC	0

Register: Physical request filter low register
 Type: ReadSet/Clear
 Offset: 108h set register
 11Ch clear register
 Default: 0000 0000h

Internal Registers (continued)

Table 101. Physical Request Filter Low Register Description

Bit	Field Name	Type	Description
31	physReqResource31	RSC	If this bit is set, requests received by the FW322 from local bus node 31 will be handled through the physical request context.
30	physReqResource30	RSC	If this bit is set, requests received by the FW322 from local bus node 30 will be handled through the physical request context.
29	physReqResource29	RSC	If this bit is set, requests received by the FW322 from local bus node 29 will be handled through the physical request context.
28	physReqResource28	RSC	If this bit is set, requests received by the FW322 from local bus node 28 will be handled through the physical request context.
27	physReqResource27	RSC	If this bit is set, requests received by the FW322 from local bus node 27 will be handled through the physical request context.
26	physReqResource26	RSC	If this bit is set, requests received by the FW322 from local bus node 26 will be handled through the physical request context.
25	physReqResource25	RSC	If this bit is set, requests received by the FW322 from local bus node 25 will be handled through the physical request context.
24	physReqResource24	RSC	If this bit is set, requests received by the FW322 from local bus node 24 will be handled through the physical request context.
23	physReqResource23	RSC	If this bit is set, requests received by the FW322 from local bus node 23 will be handled through the physical request context.
22	physReqResource22	RSC	If this bit is set, requests received by the FW322 from local bus node 22 will be handled through the physical request context.
21	physReqResource21	RSC	If this bit is set, requests received by the FW322 from local bus node 21 will be handled through the physical request context.
20	physReqResource20	RSC	If this bit is set, requests received by the FW322 from local bus node 20 will be handled through the physical request context.
19	physReqResource19	RSC	If this bit is set, requests received by the FW322 from local bus node 19 will be handled through the physical request context.
18	physReqResource18	RSC	If this bit is set, requests received by the FW322 from local bus node 18 will be handled through the physical request context.
17	physReqResource17	RSC	If this bit is set, requests received by the FW322 from local bus node 17 will be handled through the physical request context.
16	physReqResource16	RSC	If this bit is set, requests received by the FW322 from local bus node 16 will be handled through the physical request context.
15	physReqResource15	RSC	If this bit is set, requests received by the FW322 from local bus node 15 will be handled through the physical request context.
14	physReqResource14	RSC	If this bit is set, requests received by the FW322 from local bus node 14 will be handled through the physical request context.
13	physReqResource13	RSC	If this bit is set, requests received by the FW322 from local bus node 13 will be handled through the physical request context.
12	physReqResource12	RSC	If this bit is set, requests received by the FW322 from local bus node 12 will be handled through the physical request context.
11	physReqResource11	RSC	If this bit is set, requests received by the FW322 from local bus node 11 will be handled through the physical request context.
10	physReqResource10	RSC	If this bit is set, requests received by the FW322 from local bus node 10 will be handled through the physical request context.

Internal Registers (continued)**Table 101. Physical Request Filter Low Register Description** (continued)

Bit	Field Name	Type	Description
9	physReqResource9	RSC	If this bit is set, requests received by the FW322 from local bus node 9 will be handled through the physical request context.
8	physReqResource8	RSC	If this bit is set, requests received by the FW322 from local bus node 8 will be handled through the physical request context.
7	physReqResource7	RSC	If this bit is set, requests received by the FW322 from local bus node 7 will be handled through the physical request context.
6	physReqResource6	RSC	If this bit is set, requests received by the FW322 from local bus node 6 will be handled through the physical request context.
5	physReqResource5	RSC	If this bit is set, requests received by the FW322 from local bus node 5 will be handled through the physical request context.
4	physReqResource4	RSC	If this bit is set, requests received by the FW322 from local bus node 4 will be handled through the physical request context.
3	physReqResource3	RSC	If this bit is set, requests received by the FW322 from local bus node 3 will be handled through the physical request context.
2	physReqResource2	RSC	If this bit is set, requests received by the FW322 from local bus node 2 will be handled through the physical request context.
1	physReqResource1	RSC	If this bit is set, requests received by the FW322 from local bus node 1 will be handled through the physical request context.
0	physReqResource0	RSC	If this bit is set, requests received by the FW322 from local bus node 0 will be handled through the physical request context.

Internal Registers (continued)

Asynchronous Context Control Register

The asynchronous context control set/clear register controls the state and indicates status of the DMA context.

Table 102. Asynchronous Context Control Register

Bit	Field Name	Type	Default
31	Reserved	R	0
30		R	0
29		R	0
28		R	0
27		R	0
26		R	0
25		R	0
24		R	0
23		R	0
22		R	0
21		R	0
20		R	0
19		R	0
18		R	0
17		R	0
16		R	0
15	run	RSCU	0
14	Reserved	R	0
13		R	0
12	wake	RSU	X
11	dead	RU	0
10	active	RU	0
9	Reserved	R	0
8		R	0
7	spd	RU	X
6		RU	X
5		RU	X
4	eventcode	RU	X
3		RU	X
2		RU	X
1		RU	X
0		RU	X

Internal Registers (continued)

Register: Asynchronous context control register
 Type: ReadSet/Clear/Update
 Offset: 180h set register (ATRQ)
 184h clear register (ATRQ)
 1A0h set register (ATRS)
 1A4h clear register (ATRS)
 1C0h set register (ARRQ)
 1C4h clear register (ARRQ)
 1E0h set register (ATRS)
 1E4h clear register (ATRS)
 Default: 0000 X0XXh

Table 103. Asynchronous Context Control Register Description

Bit	Field Name	Type	Description
31:16	Reserved	R	Reserved. Bits 31:16 return 0s when read.
15	run	RSCU	This bit is set by software to enable descriptor processing for the context and cleared by software to stop descriptor processing. The FW322 changes this bit only on a hardware or software reset.
14:13	Reserved	R	Reserved. Bits 14:13 return 0s when read.
12	wake	RSU	Software sets this bit to cause the FW322 to continue or resume descriptor processing. The FW322 clears this bit on every descriptor fetch.
11	dead	RU	The FW322 sets this bit when it encounters a fatal error and clears the bit when software resets bit 15 (run).
10	active	RU	The FW322 sets this bit to 1 when it is processing descriptors.
9:8	Reserved	R	Reserved. Bits 9:8 return 0s when read.
7:5	spd	RU	This field indicates the speed at which a packet was received or transmitted, and only contains meaningful information for receive contexts. This field is encoded as: 000 = 100 Mb/s. 001 = 200 Mb/s. 010 = 400 Mb/s, and all other values are reserved.
4:0	eventcode	RU	This field holds the acknowledge sent by the link core for this packet or an internally generated error code if the packet was not transferred successfully.

Internal Registers (continued)

Asynchronous Context Command Pointer Register

The asynchronous context command pointer register contains a pointer to the address of the first descriptor block that the FW322 accesses when software enables the context by setting the asynchronous context control register bit 15 (run).

Table 104. Asynchronous Context Command Pointer Register

Bit	Field Name	Type	Default
31	descriptorAddress	RWU	X
30		RWU	X
29		RWU	X
28		RWU	X
27		RWU	X
26		RWU	X
25		RWU	X
24		RWU	X
23		RWU	X
22		RWU	X
21		RWU	X
20		RWU	X
19		RWU	X
18		RWU	X
17		RWU	X
16	Z	RWU	X
15		RWU	X
14		RWU	X
13		RWU	X
12		RWU	X
11		RWU	X
10		RWU	X
9		RWU	X
8		RWU	X
7		RWU	X
6		RWU	X
5		RWU	X
4		RWU	X
3	RWU	X	
2	RWU	X	
1	RWU	X	
0	RWU	X	

Internal Registers (continued)

Register: Asynchronous context command pointer register
 Type: ReadWrite/Update
 Offset: 19Ch (ATRQ)
 1ACh (ATRS)
 1CCh (ATRQ)
 1ECh (ATRS)
 Default: XXXX XXXXh

Table 105. Asynchronous Context Command Pointer Register Description

Bit	Field Name	Type	Description
31:4	descriptorAddress	RWU	Contains the upper 28 bits of the address of a 16-byte aligned descriptor block.
3:0	Z	RWU	Indicates the number of contiguous descriptors at the address pointed to by the descriptor address. If Z is 0, then it indicates that the descriptorAddress field (bits 31:4) is not valid.

Internal Registers (continued)

Isochronous Transmit Context Control Register

The isochronous transmit context control set/clear register controls options, state, and status for the isochronous transmit DMA contexts. The n value in the following register addresses indicates the context number (n = 0:7).

Table 106. Isochronous Transmit Context Control Register

Bit	Field Name	Type	Default
31	cycleMatchEnable	RSCU	X
30	cycleMatch	RSC	X
29		RSC	X
28		RSC	X
27		RSC	X
26		RSC	X
25		RSC	X
24		RSC	X
23		RSC	X
22		RSC	X
21		RSC	X
20		RSC	X
19		RSC	X
18		RSC	X
17		RSC	X
16		RSC	X
15	run	RSC	0
14	Reserved	R	0
13		R	0
12	wake	RSU	X
11	dead	RU	0
10	active	RU	0
9	Reserved	R	0
8		R	0
7	spd	RU	X
6		RU	X
5		RU	X
4	event code	RU	X
3		RU	X
2		RU	X
1		RU	X
0		RU	X

Register: Isochronous transmit context control register
 Type: Read/Set/Clear/Update
 Offset: 200h + (16 * n) set register
 204h + (16 * n) clear register
 Default: XXXX X0XXh

Internal Registers (continued)

Table 107. Isochronous Transmit Context Control Register Description

Bit	Field Name	Type	Description
31	cycleMatchEnable	RSCU	When this bit is set to 1, processing occurs such that the packet described by the context's first descriptor block is transmitted in the cycle whose number is specified in the cycleMatch field (bits 30:16). The cycleMatch field (bits 30:16) must match the low-order 2 bits of cycleSeconds and the 13-bit cycleCount field in the cycle start packet that is sent or received immediately before isochronous transmission begins. Since the isochronous transmit DMA controller may work ahead, the processing of the first descriptor block may begin slightly in advance of the actual cycle in which the first packet is transmitted. The effects of this bit, however, are impacted by the values of other bits in this register and are explained in the 1394 open host controller interface specification. Once the context has become active, hardware clears this bit.
30:16	cycleMatch	RSC	Contains a 15-bit value, corresponding to the low-order 2 bits of the bus isochronous cycle timer register cycleSeconds field (bits 31: 25) and the cycleCount field (bits 24:12). If bit 31 (cycleMatchEnable) is set, then this isochronous transmit DMA context becomes enabled for transmits when the low-order 2 bits of the bus isochronous cycle timer register cycleSeconds field (bits 31:25) and the cycleCount field (bits 24:12) value equal this field's (cycleMatch) value.
15	run	RSC	This bit is set by software to enable descriptor processing for the context and cleared by software to stop descriptor processing. The FW322 changes this bit only on a hardware or software reset.
14:13	Reserved	R	Reserved. Bits 14:13 return 0s when read.
12	wake	RSU	Software sets this bit to cause the FW322 to continue or resume descriptor processing. The FW322 clears this bit on every descriptor fetch.
11	dead	RU	The FW322 sets this bit when it encounters a fatal error and clears the bit when software resets bit 15 (run).
10	active	RU	The FW322 sets this bit to 1 when it is processing descriptors.
9:5	Reserved	R	Reserved. Bits 9:5 return 0s when read.
4:0	event code	RU	Following an OUTPUT_LAST* command, the error code is indicated in this field. Possible values are ack_complete, evt_descriptor_read, evt_data_read, and evt_unknown.

Internal Registers (continued)

Isochronous Transmit Context Command Pointer Register

The isochronous transmit context command pointer register contains a pointer to the address of the first descriptor block that the FW322 accesses when software enables an isochronous transmit context by setting the isochronous transmit context control register bit 15 (run). The n value in the following register addresses indicates the context number (n = 0:7).

Table 108. Isochronous Transmit Context Command Pointer Register

Bit	Field Name	Type	Default
31	descriptorAddress	RWU	X
30		RWU	X
29		RWU	X
28		RWU	X
27		RWU	X
26		RWU	X
25		RWU	X
24		RWU	X
23		RWU	X
22		RWU	X
21		RWU	X
20		RWU	X
19		RWU	X
18		RWU	X
17		RWU	X
16		RWU	X
15		RWU	X
14		RWU	X
13		RWU	X
12		RWU	X
11		RWU	X
10		RWU	X
9		RWU	X
8		RWU	X
7		RWU	X
6		RWU	X
5		RWU	X
4		RWU	X
3		RWU	X
2		RWU	X
1		RWU	X
0		RWU	X

Register: Isochronous transmit context command pointer register
 Type: Read only
 Offset: 20Ch + (16 * n)
 Default: XXXX XXXXh

Internal Registers (continued)

Table 109. Isochronous Transmit Context Command Pointer Register Description

Bit	Field Name	Type	Description
31:0	descriptorAddress	R	Address of the context program which will be executed when a DMA context is started.

Internal Registers (continued)

Isochronous Receive Context Control Register

The isochronous receive context control set/clear register controls options, state, and status for the isochronous receive DMA contexts. The n value in the following register addresses indicates the context number (n = 0:7).

Table 110. Isochronous Receive Context Control Register

Bit	Field Name	Type	Default	
31	bufferFill	RSC	X	
30	isochHeader	RSC	X	
29	cycleMatchEnable	RSCU	X	
28	multiChanMode	RSC	X	
27	Reserved	R	X	
26		R	X	
25		R	X	
24		R	X	
23		R	X	
22		R	X	
21		R	X	
20		R	X	
19		R	X	
18		R	X	
17		R	X	
16		R	X	
15		run	RSCU	X
14		Reserved	R	X
13	R		X	
12	wake	RSU	X	
11	dead	RU	X	
10	active	RU	X	
9	Reserved	R	X	
8		R	X	
7	spd	RU	X	
6		RU	X	
5		RU	X	
4	event code	RU	X	
3		RU	X	
2		RU	X	
1		RU	X	
0		RU	X	

Register: Isochronous receive context control register
 Type: Read/Set/Clear/Update
 Offset: 400h + (32 * n) set register
 404h + (32 *n) clear register
 Default: X000 X0XXh

Internal Registers (continued)

Table 111. Isochronous Receive Context Control Register Description

Bit	Field Name	Type	Description
31	bufferFill	RSC	When this bit is set, received packets are placed back-to-back to completely fill each receive buffer. When this bit is cleared, each received packet is placed in a single buffer. If bit 28 (multiChanMode) is set to 1, then this bit must also be set to 1. The value of this bit must not be changed while bit 10 (active) or bit 15 (run) is set.
30	isochHeader	RSC	When this bit is 1, received isochronous packets include the complete 4-byte isochronous packet header seen by the link layer. The end of the packet is marked with an xferStatus in the first doublet, and a 16-bit timeStamp indicating the time of the most recently received (or sent) cycleStart packet. When this bit is cleared, the packet header is stripped off of received isochronous packets. The packet header, if received, immediately precedes the packet payload. The value of this bit must not be changed while bit 10 (active) or bit 15 (run) is set.
29	cycleMatchEnable	RSCU	When this bit is set, the context begins running only when the 13-bit cycleMatch field (bits 24:12) in the isochronous receive context match register matches the 13-bit cycleCount field in the cycleStart packet. The effects of this bit, however, are impacted by the values of other bits in this register. Once the context has become active, hardware clears this bit. The value of this bit must not be changed while bit 10 (active) or bit 15 (run) is set.
28	multiChanMode	RSC	When this bit is set, the corresponding isochronous receive DMA context receives packets for all isochronous channels enabled in the isochronous receive channel mask high and isochronous receive channel mask low registers. The isochronous channel number specified in the isochronous receive DMA context match register is ignored. When this bit is cleared, the isochronous receive DMA context receives packets for the channel number specified in the context match register. Only one isochronous receive DMA context may use the isochronous receive channel mask registers. If more than one isochronous receive context control register has this bit set, then results are undefined. The value of this bit must not be changed while bit 10 (active) or bit 15 (run) is set to 1.
27:16	Reserved	R	Reserved. Bits 27:16 return 0s when read.
15	run	RSCU	This bit is set by software to enable descriptor processing for the context and cleared by software to stop descriptor processing. The FW322 changes this bit only on a hardware or software reset.
14:13	Reserved	R	Reserved. Bits 14:13 return 0s when read.
12	wake	RSU	Software sets this bit to cause the FW322 to continue or resume descriptor processing. The FW322 clears this bit on every descriptor fetch.
11	dead	RU	The FW322 sets this bit when it encounters a fatal error and clears the bit when software resets bit 15 (run).
10	active	RU	The FW322 sets this bit to 1 when it is processing descriptors.
9:8	Reserved	R	Reserved. Bits 9:8 return 0s when read.
7:5	spd	RU	This field indicates the speed at which the packet was received. 000 = 100 Mb/s. 001 = 200 Mb/s. 010 = 400 Mb/s. All other values are reserved.
4:0	event code	RU	Following an INPUT* command, the error or status code is indicated in this field.

Internal Registers (continued)

Isochronous Receive Context Command Pointer Register

The isochronous receive context command pointer register contains a pointer to the address of the first descriptor block that the FW322 accesses when software enables an isochronous receive context by setting the isochronous receive context control register bit 15 (run). The n value in the following register addresses indicates the context number (n = 0:7).

Table 112. Isochronous Receive Context Command Pointer Register

Bit	Field Name	Type	Default
31	descriptorAddress	RWU	X
30		RWU	X
29		RWU	X
28		RWU	X
27		RWU	X
26		RWU	X
25		RWU	X
24		RWU	X
23		RWU	X
22		RWU	X
21		RWU	X
20		RWU	X
19		RWU	X
18		RWU	X
17		RWU	X
16		RWU	X
15		RWU	X
14		RWU	X
13		RWU	X
12		RWU	X
11		RWU	X
10		RWU	X
9		RWU	X
8		RWU	X
7		RWU	X
6		RWU	X
5		RWU	X
4		RWU	X
3		RWU	X
2		RWU	X
1		RWU	X
0		RWU	X

Register: Isochronous receive context command pointer register
 Type: Read only
 Offset: 40Ch + (32 * n)
 Default: XXXX XXXXh

Internal Registers (continued)

Table 113. Isochronous Receive Context Command Pointer Register Description

Bit	Field Name	Type	Description
31:0	descriptorAddress	RWU	Address of the context program which will be executed when a DMA context is started.

Internal Registers (continued)

Isochronous Receive Context Match Register

The isochronous receive context match register is used to control on which isochronous cycle the context should start and to filter which packets are received by the context.

Table 114. Isochronous Receive Context Match Register

Bit	Field Name	Type	Default
31	tag3	RW	X
30	tag2	RW	X
29	tag1	RW	X
28	tag0	RW	X
27	Reserved	R	0
26		R	0
25		R	0
24	cycleMatch	RW	X
23		RW	X
22		RW	X
21		RW	X
20		RW	X
19		RW	X
18		RW	X
17		RW	X
16		RW	X
15		RW	X
14		RW	X
13		RW	X
12	RW	X	
11	sync	RW	X
10		RW	X
9		RW	X
8	RW	X	
7	Reserved	R	X
6	tag1SyncFilter	RW	X
5	channelNumber	RW	X
4		RW	X
3		RW	X
2		RW	X
1		RW	X
0		RW	X

Register: Isochronous receive context match register
 Type: Read only
 Offset: 410Ch + (32 * n)
 Default: XXXX XXXXh

Internal Registers (continued)

Table 115. Isochronous Receive Context Match Register Description

Bit	Field Name	Type	Description
31	tag3	RW	If this bit is set, then this context matches on iso receive packets with a tag field of 11b.
30	tag2	RW	If this bit is set, then this context matches on iso receive packets with a tag field of 10b.
29	tag1	RW	If this bit is set, then this context matches on iso receive packets with a tag field of 01b.
28	tag0	RW	If this bit is set, then this context matches on iso receive packets with a tag field of 00b.
27:25	Reserved	R	Reserved. Bits 27:25 return 0s when read.
24:12	cycleMatch	RW	Contains a 15-bit value, corresponding to the low-order 2 bits of cycleSeconds and the 13-bit cycleCount field in the cycleStart packet. If isochronous receive context control register bit 29 (cycleMatchEnable) is set, then this context is enabled for receives when the 2 low-order bits of the bus isochronous cycle timer register cycleSeconds field (bits 31:25) and cycleCount field (bits 24:12) value equal this field's (cycleMatch) value.
11:8	sync	RW	This field contains the 4-bit field which is compared to the sync field of each iso packet for this channel when the command descriptor's w field is set to 11b.
7	Reserved	R	Reserved. Bit 7 returns 0 when read.
6	tag1SyncFilter	RW	If this bit and bit 29 (tag1) are set, then packets with tag2b01 are accepted into the context if the two most significant bits of the packets sync field are 00b. Packets with tag values other than 01b are filtered according to tag0, tag2, and tag3 (bits 28, 30, and 31, respectively) without any additional restrictions. If this bit is cleared, then this context matches on isochronous receive packets as specified in bits 28:31 (tag0:tag3) with no additional restrictions.
5:0	channelNumber	RW	This 6-bit field indicates the isochronous channel number for which this isochronous receive DMA context accepts packets.

Internal Registers (continued)

FW322 Vendor-Specific Registers

The FW322 contains a number of vendor-defined registers used for diagnostics and control low-level hardware functions. These registers are addressable in the upper 2K of the 4K region defined by PCI base address register 0 (registers defined by the OHCI specification reside in the lower 2K of this region). The control registers should not be changed when the link is enabled.

Table 116. FW322 Vendor-Specific Registers Description

Offset	Register Name	Description
12'h800	IsoDMACtrl	Controls PCI access for the isochronous DMA contents. Initial values are loaded from serial EEPROM, if present.
12'h808	AsyDMACtrl	Controls PCI access and AT FIFO threshold for the asynchronous DMA contexts. Initial values are loaded from serial EEPROM, if present.
12'h840	LinkOptions	Controls low-level functionality of the link core. Initial values are loaded from serial EEPROM, if present.

Internal Registers (continued)**Isochronous DMA Control**

The fields in this register control when the isochronous DMA engines access the PCI bus and how much data they will attempt to move in a single PCI transaction. The actual PCI burst sizes will also be affected by 1394 packet size, host memory buffer size, FIFO constraints, and the PCI cache line size.

This register is accessible via the PCI bus at offset 0x800.

Table 117. Isochronous DMA Control Registers Description

Bits	Field	Description
15:12	IT Maximum Burst	The maximum number of quadlets that will be fetched by the IT unit in one PCI transaction. The maximum burst is $16 * (n + 1)$ quadlets. Defaults to 7 (128 quadlets).
11:8	IT Threshold	Along with the amount of data remaining to be fetched from the current host memory buffer, this field defines the number of quadlets that must be unused in the IT FIFO before the IT unit will request access to the PCI bus. In effect, this value defines the minimum burst size that, other factors permitting, will be used in IT. The threshold is $16 * (n + 1)$ quadlets and defaults to 3 (64 quadlets).
7:4	IR Maximum Burst	The maximum number of quadlets that will be written by the IR unit in one PCI transaction. The maximum burst is $16 * (n + 1)$ quadlets. Defaults to 7 (128 quadlets).
3:0	IR Threshold	Along with the space remaining in the current host memory buffer, this field defines the number of quadlets that must be available in the IR FIFO before the IR unit will request access to the PCI bus. The threshold is $16 * (n + 1)$ quadlets and defaults to 3 (64 quadlets).

Internal Registers (continued)

Asynchronous DMA Control

This register is accessible via the PCI bus at offset 0x808.

Table 118. Asynchronous DMA Control Registers Description

Bits	Field	Description
23:16	AT FIFO Threshold	The number of quadlets of a packet that must be in the AT FIFO before the link will be notified that there is an asynchronous packet to be transmitted. (The link will also be signaled that a packet is available for transmission if the entire packet is in the FIFO, regardless of its size.) Defaults to a value of 0x10 (256 quadlets).
15:12	AT Maximum Burst	The maximum number of quadlets that will be fetched by the AT and physical read response units in one PCI transaction. The maximum burst is $16 * (n + 1)$ quadlets. Defaults to 7 (128 quadlets).
11:8	AT Threshold	Along with the amount of data remaining to be fetched from the current host memory buffer, this field defines the number of quadlets that can be written to the AT FIFO before the AT and physical read response units will request access to the PCI bus. The threshold is $16 * (n + 1)$ quadlets and defaults to 3 (64 quadlets).
7:4	AR Maximum Burst	The maximum number of quadlets that will be written by the AR and physical write units in one PCI transaction. The maximum burst is $16 * (n + 1)$ quadlets. Defaults to 7 (128 quadlets).
3:0	AR Threshold	Along with the space remaining in the current host memory buffer, this field defines the number of quadlets that must be available in the AR FIFO before the AR unit will request access to the PCI bus. For the physical write unit, this value defines the minimum PCI burst, packet size permitting. The threshold is $16 * (n + 1)$ quadlets and defaults to 3 (64 quadlets).

Internal Registers (continued)

Link Options

The values in this register control the operation of the link module within the FW322 beyond what is stated in 1394 and OHCI specifications. In general, these controls are to be used for debugging and diagnostic purposes only and should not be modified from power reset default values.

This register is accessible via the PCI bus at offset 0x840.

Table 119. Link Registers Description

Bits	Field	Description
5:3	Posted Wires	Number of physical posted writes the link is allowed to queue in the asynchronous receive FIFO. Defaults to four, which is the maximum value. Values greater than four will disable all physical posted writes.
2:0	Cycle Timer Control	Selects the value the FW322 will use for its isochronous cycle period when the FW322 is the root node. This value is for debugging purposes only and should not be set to other than its default value in a real 1394 network. This value defaults to 0. If 0, cycle = 125 μ s. If 1, cycle = 62.5 μ s. If 2, cycle = 31.25 μ s. If 3, cycle = 15.625 μ s. If 4, cycle = 7.8125 μ s.

Internal Registers (continued)

Table 120. ROM Format Description

Byte Address	Description
0x00	Subsystem Vendor ID, 1s byte
0x01	Subsystem Vendor ID, ms byte
0x02	Subsystem ID, 1s byte
0x03	Subsystem ID, ms byte
0x04	PCI Min Grant value
0x05	PCI Max Latency value
0x06	Reserved
0x07	PCI Global swap control (bit 0)
0x08	IsoDMACtrl[7:0]
0x09	IsoDMACtrl[15:8]
0x0a	IsoDMACtrl[23:16]
0x0b	IsoDMACtrl[31:24]
0x0c	AsyDMACtrl[7:0]
0x0d	AsyDMACtrl[15:8]
0x0e	AsyDMACtrl[23:16]
0x0f	AsyDMACtrl[31:24]
0x10	LinkOptions[7:0]
0x11	LinkOptions[15:8]
0x12	LinkOptions[23:16]
0x13	LinkOptions[31:24]
0x14	OHCI Bus Options[7:0]
0x15	OHCI Bus Options[15:8]
0x16	OHCI Bus Options[23:16]
0x17	OHCI Bus Options[31:24]
0x18	OHCI GUIDHi[7:0]
0x19	OHCI GUIDHi[15:8]
0x1a	OHCI GUIDHi[23:16]
0x1b	OHCI GUIDHi[31:24]
0x1c	OHCI GUIDLo[7:0]
0x1d	OHCI GUIDLo[15:8]
0x1e	OHCI GUIDLo[23:16]
0x1f	OHCI GUIDLo[31:24]
0x20	OHCI ConfigRomHdr[7:0]
0x21	OHCI ConfigRomHdr[15:8]
0x22	OHCI ConfigRomHdr[23:16]
0x23	OHCI ConfigRomHdr[31:24]
0x24	Start of system-defined configuration space

Crystal Selection Considerations

The FW322 is designed to use an external 24.576 MHz crystal connected between the XI and XO terminals to provide the reference for an internal oscillator circuit. *IEEE* 1394a-2000 standard requires that FW322 have less than ± 100 ppm total variation from the nominal data rate, which is directly influenced by the crystal. To achieve this, it is recommended that an oscillator with a nominal 50 ppm or less frequency tolerance be used.

The total frequency variation must be kept below ± 100 ppm from nominal with some allowance for error introduced by board and device variations. Trade-offs between frequency tolerance and stability may be made as long as the total frequency variation is less than ± 100 ppm.

Load Capacitance

The frequency of oscillation is dependent upon the load capacitance specified for the crystal, in parallel resonant mode crystal circuits. Total load capacitance (C_L) is a function of not only the discrete load capacitors, but also capacitances from the FW322 board traces and capacitances of the other FW322 connected components. The values for load capacitors (C_A and C_B) should be calculated using this formula:

$$C_A = C_B = (C_L - C_{\text{stray}}) \times 2$$

Where:

C_L = load capacitance specified by the crystal manufacturer.

C_{stray} = capacitance of the board and the FW322, typically 2 pF—3 pF.

Board Layout

The layout of the crystal portion of the PHY circuit is important for obtaining the correct frequency and minimizing noise introduced into the FW322 PLL. The crystal and two load capacitors should be considered as a unit during layout. They should be placed as close as possible to one another, while minimizing the loop area created by the combination of the three components. Minimizing the loop area minimizes the effect of the resonant current that flows in this resonant circuit. This layout unit (crystal and load capacitors) should then be placed as close as possible to the PHY XI and XO terminals to minimize trace lengths. Vias should not be used to route the XI and XO signals.

Electrical Characteristics

Table 121. Analog Characteristics

Parameter	Test Conditions	Symbol	Min	Typ	Max	Unit
Supply Voltage	Source power node	VDD—SP	3.0	3.3	3.6	V
Differential Input Voltage	Cable inputs, 100 Mbits/s operation	VID—100	142	—	260	mV
	Cable inputs, 200 Mbits/s operation	VID—200	132	—	260	mV
	Cable inputs, 400 Mbits/s operation	VID—400	100	—	260	mV
	Cable inputs, during arbitration	VID—ARB	168	—	265	mV
Common-mode Voltage Source Power Mode	TPB cable inputs, speed signaling off	VCM	1.165	—	2.515	V
	TPB cable inputs, S100 speed signaling on	VCM—SP—100	1.165	—	2.515	V
	TPB cable inputs, S200 speed signaling on	VCM—SP—200	0.935	—	2.515	V
	TPB cable inputs, S400 speed signaling on	VCM—SP—400	0.532	—	2.515	V
Common-mode Voltage Nonsource Power Mode*	TPB cable inputs, speed signaling off	VCM	1.165	—	2.015	V
	TPB cable inputs, S100 speed signaling on	VCM—NSP—100	1.165	—	2.015	V
	TPB cable inputs, S200 speed signaling on	VCM—NSP—200	0.935	—	2.015	V
	TPB cable inputs, S400 speed signaling on	VCM—NSP—400	0.532	—	2.015	V
Receive Input Jitter	TPA, TPB cable inputs, 100 Mbits/s operation	—	—	—	1.08	ns
	TPA, TPB cable inputs, 200 Mbits/s operation	—	—	—	0.5	ns
	TPA, TPB cable inputs, 400 Mbits/s operation	—	—	—	0.315	ns
Receive Input Skew	Between TPA and TPB cable inputs, 100 Mbits/s operation	—	—	—	0.8	ns
	Between TPA and TPB cable inputs, 200 Mbits/s operation	—	—	—	0.55	ns
	Between TPA and TPB cable inputs, 400 Mbits/s operation	—	—	—	0.5	ns
Positive Arbitration Comparator Input Threshold Voltage	—	VTH+	89	—	168	mV
Negative Arbitration Comparator Input Threshold Voltage	—	VTH—	—168	—	—89	mV
Speed Signal Input Threshold Voltage	200 Mbits/s	VTH—S200	45	—	139	mV
	400 Mbits/s	VTH—S400	266	—	445	mV
Output Current	TPBIAS outputs	IO	—5	—	2.5	mA
TPBIAS Output Voltage	At rated I/O current	VO	1.665	—	2.015	V
Current Source for Connect Detect Circuit	—	ICD	—	—	76	μA

* For a node that does not source power (see Section 4.2.2.2 in *IEEE 1394-1995 Standard*).

Electrical Characteristics (continued)**Table 122. Driver Characteristics**

Parameter	Test Conditions	Symbol	Min	Typ	Max	Unit
Differential Output Voltage	56 Ω load	VOD	172	—	265	mV
Off-state Common-mode Voltage	Drivers disabled	VOFF	—	—	20	mV
Driver Differential Current, TPA+, TPA–, TPB+, TPB–	Driver enabled, speed signaling off*	IDIFF	–1.05	—	1.05	mA
Common-mode Speed Signaling Current, TPB+, TPB–	200 Mbits/s speed signaling enabled†	ISP	–2.53	—	–4.84	mA
	400 Mbits/s speed signaling enabled†	ISP	–8.1	—	–12.4	mA

* Limits are defined as the algebraic sum of TPA+ and TPA– driver currents. Limits also apply to TPB+ and TPB– as the algebraic sum of driver currents.

† Limits are defined as the absolute limit of each of TPB+ and TPB– driver currents.

Table 123. Device Characteristics

Parameter	Test Conditions	Symbol	Min	Typ	Max	Unit
Supply Current:	VDD = 3.3 V	IDD	—	140	—	mA
D0, 2 Ports Active Cycle Starts on Bus						
D0, 1 Port Active Cycle Starts on Bus						
D1, LPS On, Link Ready, 1 Port Active, PCI Clock Off (or Very Slow) Wakeup Is Possible from This State						
D2, LPS Off, PCI Clock Off (or Slow), Ports Suspended, PHY Core Off, Wakeup Is Possible from This State						
D3Hot, LPS Off, PCI Clock Off (or Slow), Ports Disabled, PHY Core Off, Wakeup Is Possible from This State						
D3Cold, Power Is Removed from Chip, No Wakeup Is Possible from This State	—	0	—	mA		
High-level Output Voltage	IOH max, VDD = min	VOH	VDD – 0.4	—	—	V
Low-level Output Voltage	IOL min, VDD = max	VOL	—	—	0.4	V
High-level Input Voltage	CMOS inputs	VIH	0.7VDD	—	—	V
Low-level Input Voltage	CMOS inputs	VIL	—	—	0.2VDD	V
Pull-up Current, RESETN Input	VI = 0 V	II	11	—	32	μ A

Timing Characteristics

Table 124. Switching Characteristics

Symbol	Parameter	Measured	Test Conditions	Min	Typ	Max	Unit
—	Jitter, Transmit	TPA, TPB	—	—	—	0.15	ns
—	Transmit Skew	Between TPA and TPB	—	—	—	±0.1	ns
tr	Rise Time, Transmit (TPA/TPB)	10% to 90%	R _I = 56 Ω, C _I = 10 pF	—	—	1.2	ns
tf	Fall Time, Transmit (TPA/TPB)	90% to 10%	R _I = 56 Ω, C _I = 10 pF	—	—	1.2	ns

Table 125. Clock Characteristics

Parameter	Symbol	Min	Typ	Max	Unit
External Clock Source Frequency	f	24.5735	24.5760	24.5785	MHz

Internal Register Configuration

PHY Core Register Map for Cable Environment

The PHY core register map is shown below in Table 126.

Table 126. PHY Core Register Map for the Cable Environment

Address	Contents							
	Bit 0	Bit 1	Bit 2	Bit 3	Bit 4	Bit 5	Bit 6	Bit 7
00002	Physical_ID						R	PS
00012	RHB	IBR	Gap_count					
00102	Extended (7)			XXXXXX	Total_ports			
00112	Max_speed			XXXXXX	Delay			
01002	LCtrl	Contender	Jitter			Pwr_class		
01012	Watchdog	ISBR	Loop	Pwr_fail	Timeout	Port_event	Enab_accel	Enab_multi
01102	XXXXXX	XXXXXX	XXXXXX	XXXXXX	XXXXXX	XXXXXX	XXXXXX	XXXXXX
01112	Page_select			XXXXXX	Port_select			
10002	Register 0 Page_select							
⋮	⋮							⋮
11112	Register 7 Page_select							

REQUIRED
XXXXXX
RESERVED

Internal Register Configuration (continued)

PHY Core Register Fields for Cable Environment

Table 127. PHY Core Register Fields for Cable Environment

Field	Size	Type	Power Reset Value	Description
Physical_ID	6	R	000000	The address of this node is determined during self-identification. A value of 63 indicates a malconfigured bus; the link will not transmit any packets.
R	1	R	0	When set to one, indicates that this node is the root.
PS	1	R	—	Cable power active.
RHB	1	RW	0	Root hold-off bit. When set to one, the force_root variable is TRUE, which instructs the PHY core to attempt to become the root during the next tree identify process.
IBR	1	RW	0	Initiate bus reset. When set to one, instructs the PHY core to set ibr TRUE and reset_time to RESET_TIME. These values, in turn, cause the PHY core to initiate a bus reset without arbitration; the reset signal is asserted for 166 μ s. This bit is self-clearing.
Gap_count	6	RW	3F16	Used to configure the arbitration timer setting in order to optimize gap times according to the topology of the bus. See Section 4.3.6 of <i>IEEE</i> Standard 1394-1995 for the encoding of this field.
Extended	3	R	7	This field has a constant value of seven, which indicates the extended PHY core register map.
Total_ports	4	R	2	The number of ports implemented by this PHY core. This count reflects the number.
Max_speed	3	R	0102	Indicates the speed(s) this PHY core supports: 0002 = 98.304 Mbits/s. 0012 = 98.304 and 196.608 Mbits/s. 0102 = 98.304, 196.608, and 393.216 Mbits/s. 0112 = 98.304, 196.608, 393.216, and 786.43 Mbits/s. 1002 = 98.304, 196.608, 393.216, 786.432, and 1,572.864 Mbits/s. 1012 = 98.304, 196.608, 393.216, 786.432, 1,572.864, and 3,145.728 Mbits/s. All other values are reserved for future definition.
Delay	4	R	0000	Worst-case repeater delay, expressed as 144 + (delay * 20) ns.
LCtrl	1	RW	1	Link Active. Cleared or set by software to control the value of the L bit transmitted in the node's self-ID packet 0, which will be the logical AND of this bit and LPS active.
Contender	1	RW	See description	Cleared or set by software to control the value of the C bit transmitted in the self-ID packet. Powerup reset value is set by CONTENDER pin.
Jitter	3	R	000	The difference between the fastest and slowest repeater data delay, expressed as (jitter + 1) * 20 ns.
Pwr_class	3	RW	See description	Power Class. Controls the value of the pwr field transmitted in the self-ID packet. See Section 4.3.4.1 of <i>IEEE</i> Standard 1394-1995 for the encoding of this field. PC0, PC1, and PC2 pins set up power reset value.

Internal Register Configuration (continued)

Table 127. PHY Core Register Fields for Cable Environment (continued)

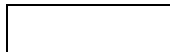
Field	Size	Type	Power Reset Value	Description
Watchdog	1	RW	0	When set to one, the PHY core will set Port_event to one if resume operations commence for any port.
ISBR	1	RW	0	Initiate Short (Arbitrated) Bus Reset. A write of one to this bit instructs the PHY core to set ISBR true and reset_time to SHORT_RESET_TIME. These values, in turn, cause the PHY core to arbitrate and issue a short bus reset. This bit is self-clearing.
Loop	1	RW	0	Loop Detect. A write of one to this bit clears it to zero.
Pwr_fail	1	RW	1	Cable Power Failure Detect. Set to one when the PS bit changes from one to zero. A write of one to this bit clears it to zero.
Timeout	1	RW	0	Arbitration State Machine Timeout. A write of one to this bit clears it to zero (see MAX_ARB_STATE_TIME).
Port_event	1	RW	0	Port Event Detect. The PHY core sets this bit to one if any of connected, bias, disabled, or fault change for a port whose Int_enable bit is one. The PHY core also sets this bit to one if resume operations commence for any port and watchdog is one. A write of one to this bit clears it to zero.
Enab_accel	1	RW	0	Enable Arbitration Acceleration. When set to one, the PHY core will use the enhancements specified in clause 7.10 of 1394a-2000 specification. PHY core behavior is unspecified if the value of Enab_accel is changed while a bus request is pending.
Enab_multi	1	RW	0	Enable multispeed packet concatenation. When set to one, the link will signal the speed of all packets to the PHY core.
Page_select	3	RW	000	Selects which of eight possible PHY core register pages are accessible through the window at PHY core register addresses 10002 through 11112, inclusive.
Port_select	4	RW	0000	If the page selected by Page_select presents per-port information, this field selects which port's registers are accessible through the window at PHY core register addresses 10002 through 11112, inclusive. Ports are numbered monotonically starting at zero, p0.

Internal Register Configuration (continued)

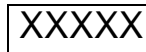
The port status page is used to access configuration and status information for each of the PHY core's ports. The port is selected by writing zero to Page_select and the desired port number to Port_select in the PHY core register at address 01112. The format of the port status page is illustrated by Table 128 below; reserved fields are shown as XXXXX. The meanings of the register fields with the port status page are defined by RSC.

Table 128. PHY Core Register Page 0: Port Status Page

Address	Contents							
	Bit 0	Bit 1	Bit 2	Bit 3	Bit 4	Bit 5	Bit 6	Bit 7
10002	AStat		BStat		Child	Connected	Bias	Disabled
10012	Negotiated_speed			Int_enable	Fault	XXXXXX	XXXXXX	XXXXXX
10102	XXXXXX	XXXXXX	XXXXXX	XXXXXX	XXXXXX	XXXXXX	XXXXXX	XXXXXX
10112	XXXXXX	XXXXXX	XXXXXX	XXXXXX	XXXXXX	XXXXXX	XXXXXX	XXXXXX
11002	XXXXXX	XXXXXX	XXXXXX	XXXXXX	XXXXXX	XXXXXX	XXXXXX	XXXXXX
11012	XXXXXX	XXXXXX	XXXXXX	XXXXXX	XXXXXX	XXXXXX	XXXXXX	XXXXXX
11102	XXXXXX	XXXXXX	XXXXXX	XXXXXX	XXXXXX	XXXXXX	XXXXXX	XXXXXX
11112	XXXXXX	XXXXXX	XXXXXX	XXXXXX	XXXXXX	XXXXXX	XXXXXX	XXXXXX



REQUIRED



RESERVED

Internal Register Configuration (continued)

The meaning of the register fields with the port status page are defined by Table 129 below.

Table 129. PHY Core Register Port Status Page Fields

Field	Size	Type	Power Reset Value	Description
AStat	2	R	—	TPA line state for the port: 00 ₂ = invalid. 01 ₂ = 1. 10 ₂ = 0. 11 ₂ = Z.
BStat	2	R	—	TPB line state for the port (same encoding as AStat).
Child	1	R	0	If equal to one, the port is a child; otherwise, a parent. The meaning of this bit is undefined from the time a bus reset is detected until the PHY core transitions to state T1: Child Handshake during the tree identify process (see Section 4.4.2.2 in <i>IEEE Standard 1394-1995</i>).
Connected	1	R	0	If equal to one, the port is connected.
Bias	1	R	0	If equal to one, incoming TPBIAS is detected.
Disabled	1	RW	0	If equal to one, the port is disabled.
Negotiated_speed	3	R	000	Indicates the maximum speed negotiated between this PHY core port and its immediately connected port; the encoding is the same as for the PHY core register Max_speed field.
Int_enable	1	RW	0	Enable port event interrupts. When set to one, the PHY core will set Port_event to one if any of connected, bias, disabled, or fault (for this port) change state.
Fault	1	RW	0	Set to one if an error is detected during a suspend or resume operation. A write of one to this bit clears it to zero.

Internal Register Configuration (continued)

The vendor identification page is used to identify the PHY core's vendor and compliance level. The page is selected by writing one to Page_select in the PHY core register at address 01112. The format of the vendor identification page is shown in Table 130; reserved fields are shown as XXXXX.

Table 130. PHY Core Register Page 1: Vendor Identification Page

Address	Contents							
	Bit 0	Bit 1	Bit 2	Bit 3	Bit 4	Bit 5	Bit 6	Bit 7
10002	Compliance_level							
10012	XXXXX	XXXXX	XXXXX	XXXXX	XXXXX	XXXXX	XXXXX	XXXXX
10102								
10112	Vendor_ID							
11002								
11012								
11102	Product_ID							
11112								

REQUIRED XXXXX RESERVED

Note: The meaning of the register fields within the vendor identification page are defined by Table 131.

Table 131. PHY Core Register Vendor Identification Page Fields

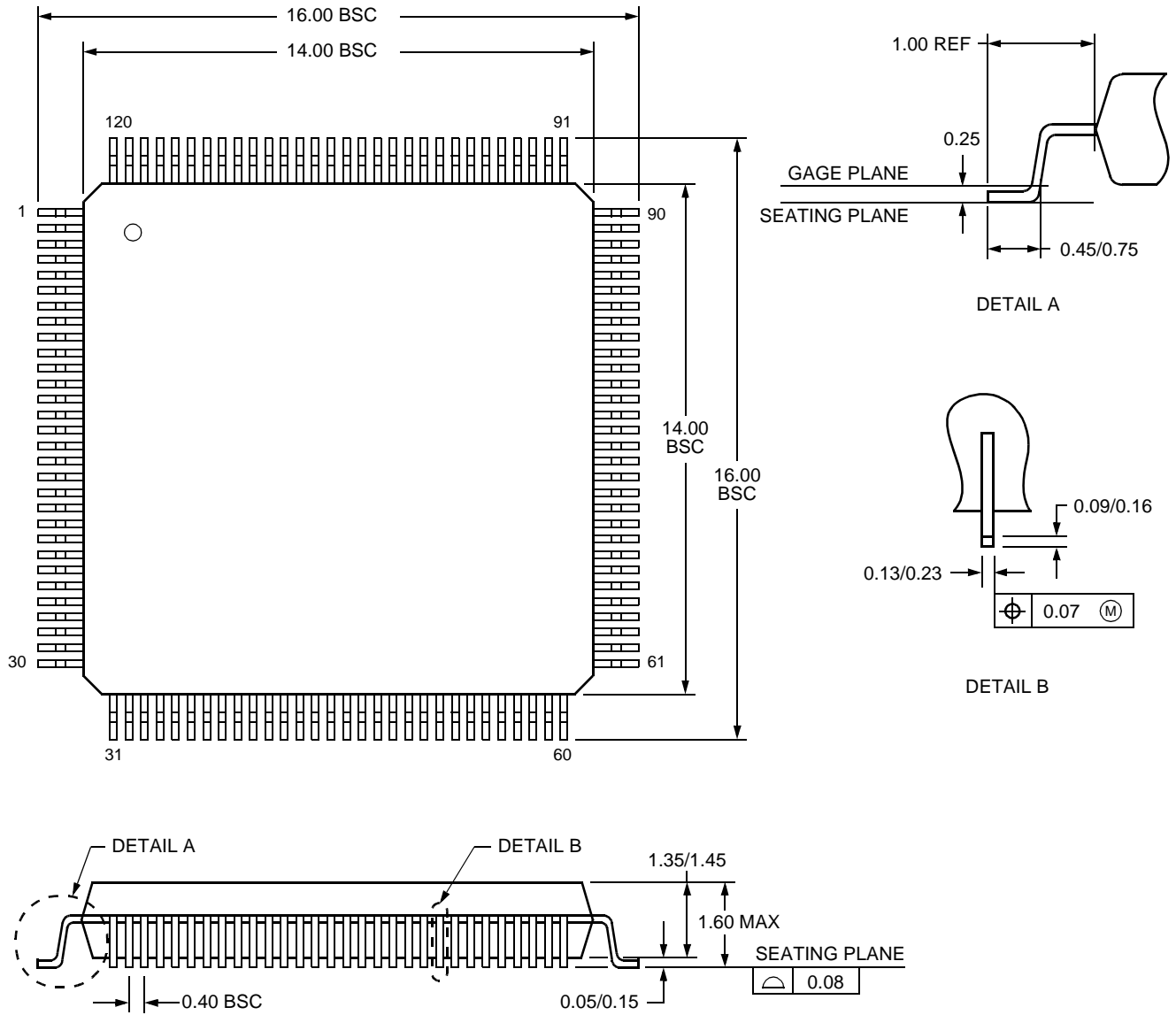
Field	Size	Type	Description
Compliance_level	8	r	Standard to which the PHY core implementation complies: 0 = not specified 1 = IEEE 1394a-2000 Lucent's FW322 compliance level is 1. All other values reserved for future standardization.
Vendor_ID	24	r	The company ID or organizationally unique identifier (OUI) of the manufacturer of the PHY core. Lucent's vendor ID is 00601D16. This number is obtained from the IEEE registration authority committee (RAC). The most significant byte of Vendor_ID appears at PHY core register location 10102 and the least significant at 11002.
Product_ID	24	r	The meaning of this number is determined by the company or organization that has been granted Vendor_ID. Lucent's FW322 PHY core product ID is 03230416. The most significant byte of Product_ID appears at PHY core register location 11012 and the least significant at 11112.

Note: The vendor-dependent page provides access to information used in manufacturing test of the FW322.

Outline Diagrams

120-Pin TQFP

Dimensions are in millimeters.



1349 (F)

For additional information, contact your Microelectronics Group Account Manager or the following:

INTERNET: <http://www.lucent.com/micro>

E-MAIL: docmaster@micro.lucent.com

N. AMERICA: Microelectronics Group, Lucent Technologies Inc., 555 Union Boulevard, Room 30L-15P-BA, Allentown, PA 18109-3286
1-800-372-2447, FAX 610-712-4106 (In CANADA: **1-800-553-2448**, FAX 610-712-4106)

ASIA PACIFIC: Microelectronics Group, Lucent Technologies Singapore Pte. Ltd., 77 Science Park Drive, #03-18 Cintech III, Singapore 118256
Tel. (65) 778 8833, FAX (65) 777 7495

CHINA: Microelectronics Group, Lucent Technologies (China) Co., Ltd., A-F2, 23/F, Zao Fong Universe Building, 1800 Zhong Shan Xi Road, Shanghai 200233 P. R. China **Tel. (86) 21 6440 0468, ext. 325**, FAX (86) 21 6440 0652

JAPAN: Microelectronics Group, Lucent Technologies Japan Ltd., 7-18, Higashi-Gotanda 2-chome, Shinagawa-ku, Tokyo 141, Japan
Tel. (81) 3 5421 1600, FAX (81) 3 5421 1700

EUROPE: Data Requests: MICROELECTRONICS GROUP DATALINE: **Tel. (44) 7000 582 368**, FAX (44) 1189 328 148

Technical Inquiries: GERMANY: **(49) 89 95086 0** (Munich), UNITED KINGDOM: **(44) 1344 865 900** (Ascot),

FRANCE: **(33) 1 40 83 68 00** (Paris), SWEDEN: **(46) 8 600 7070** (Stockholm), FINLAND: **(358) 9 3507670** (Helsinki),

ITALY: **(39) 02 6608131** (Milan), SPAIN: **(34) 1 807 1441** (Madrid)

Lucent Technologies Inc. reserves the right to make changes to the product(s) or information contained herein without notice. No liability is assumed as a result of their use or application. No rights under any patent accompany the sale of any such product(s) or information.

