

CMI8770

PCI 8CH Integrated Sound Chip



DESCRIPTION

CMI8770 is the first high performance (SNR-100dB) 8CH PCI integrated sound chip compatible with PCI V.2.2 specification in the world. With 16bit/96K digital/analog playback capability and versatile driver support, CMI8770 is designed delicately for advanced consumer PC sound card/media center/mainboard/desktop/embedded system/server audio applications. Through integrating a full-duplex 8/2 CODEC and S/PDIF transmitter/receiver, CMI8770 consequently saves much BOM cost for customers. CMI8770, bundled with C-Media friendly and high add-on value driver, provides the most economic and ideal audio solution with the best value-price ratio. Integrated S/PDIF transmitter can deliver 5.1 Dolby® Digital/DTS®, or 6.1/7.1 Dolby® Digital Surround EX/DTS ES DVD soundtracks and up-to-96KHz high-definition audio stream to external receiver

FEATURES

- The global first 8CH single sound chip supporting Dolby® Digital Live 5.1 (AC-3) real-time interactive content encoder
- DTS® Interactive – a real time 5.1 channel encoder that takes 2 or more channels and encodes them into a DTS bit stream
- DTS® NeoPC – an up-mix matrix that turns any 2 channel audio into 7.1 channel surround sound
- Full-duplex 8CH DAC/2CH ADC
- Supports 48K/16bit analog playback and recording
- CE level high-quality Signal-to-Noise Ratio (SNR)-100Db
- Integrated S/PDIF transmitter supports 44.1k/48k/96KHz(96k not available on windows vista) sample-rate and 16bits resolution
- PCI Rev. 2.2 compliant with bus mastering modes

BLOCK DIAGRAM

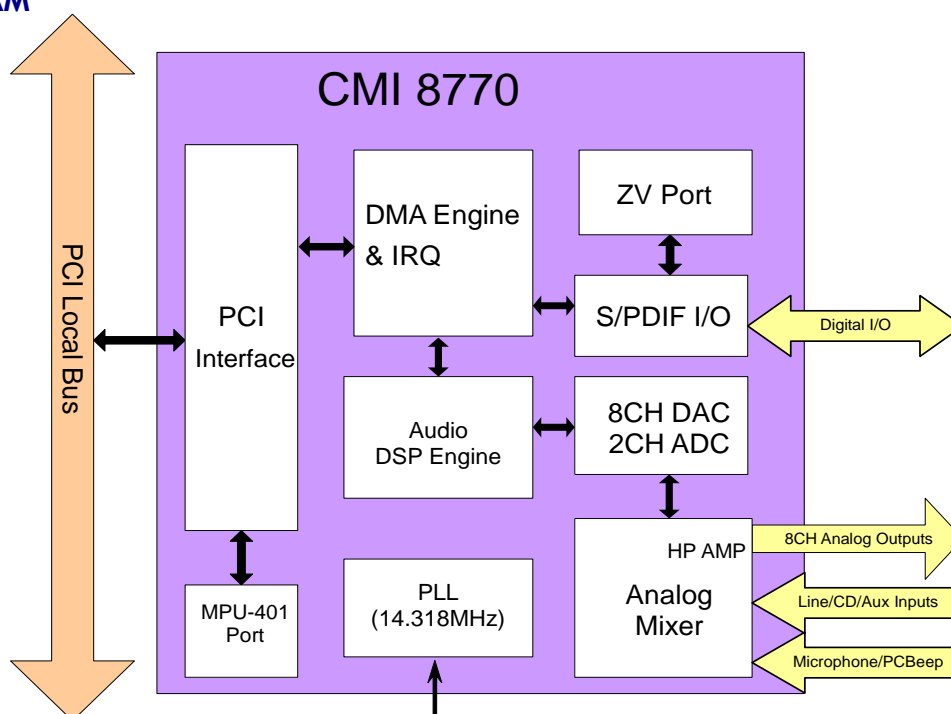


TABLE OF CONTENTS

Revision History.....	3
1. Description and Overview	5
2. Features	5
3. Block Diagram	7
4. Pin Assignment	8
5. Pin Description	9
5.1 Digital I/O	9
5.2 Analog I/O	10
5.3 Power & Ground	10
5.4 NC.....	11
6. Electrical Characteristics	12
6.1 Maximum Ratings.....	12
6.2 Recommended Operating Conditions	12
6.3 Power Consumption.....	12
6.5 AC Characteristics	13
6.6 Analog Performance	14
7. Mechanical Dimensions.....	16

Revision History

Date	Rev.	Release Note
2007/11/01	Rev. 0.1	Preliminary vision
2007/12/11	Rev. 1.0	Word Correction
2008/4/18	Rev. 1.1	Change the spec of resolution support Highlight the current spec limitations on Microsoft Windows Vista
2008/10/08	Rev. 1.2	Remove Sensaura support
2008/11/19	Rev. 1.3	Add note for spdif out 96k not support on Vista
2010/04/29	Rev. 1.4	Format Modification
2010/05/07	Rev. 1.5	Modify pin71, 72 as input

CMI8770

PCI 8CH Integrated Sound Chip



1. Description and Overview

2. Features

- The global first 8CH single sound chip supporting Dolby® Digital Live 5.1 (AC-3) real-time interactive content encoder
- DTS® Interactive – a real time 5.1 channel encoder that takes 2 or more channels and encodes them into a DTS bit stream
- DTS® NeoPC – an up-mix matrix that turns any 2 channel audio into 7.1 channel surround sound
- Full-duplex 8CH DAC/2CH ADC
- Supports 48K/16bit analog playback and recording
- CE level high-quality Signal-to-Noise Ratio (SNR)~ 100Db
- Integrated S/PDIF transmitter supports 44.1k/48k/96KHz(96k not available on windows vista) sample-rate and 16bits resolution
- PCI Rev. 2.2 compliant with bus mastering modes
- Supports the latest Dolby® Digital EX and DTS® ES 6.1/7.1CH DVD soundtrack playback
- Two S/PDIF inputs for optical and coaxial connectors individually
- Built-in earphone buffer at Front-Out pins (32Ω loading)
- One GPIO (General purpose I/O) support
- External EEPROM Interface for SVID\SSID R/W purpose
- Supports MPU401 MIDI UART port
- DirectSound™ 3D HW acceleration compliant
- Power On/Off anti-pop circuit reference design
- ACPI compliant power down management
- Zoomed Video Port support
- Industrial standard QFP-128 package
- Digital power = 3.3V & 5V, Analog power = 5V
- PCIe sound card reference design provided

Valuable S/W:

- Dolby® Digital Live 5.1(AC-3) real-time interactive content encoder
- DTS® Interactive 5.1(DTS) real-time interactive content encoder
- DTS® NeoPC upmix 2 channel audio into 7.1 channel surround sound
- C-Media Xear 3D EX™ Gaming support technology
- C-Media Xear 3D™ 7.1 Virtual Speaker SHIFTER technology
- Interesting Magic Voice™ feature to disguise users' voice tone in all IP phones (Skype, MSN,

CMI8770

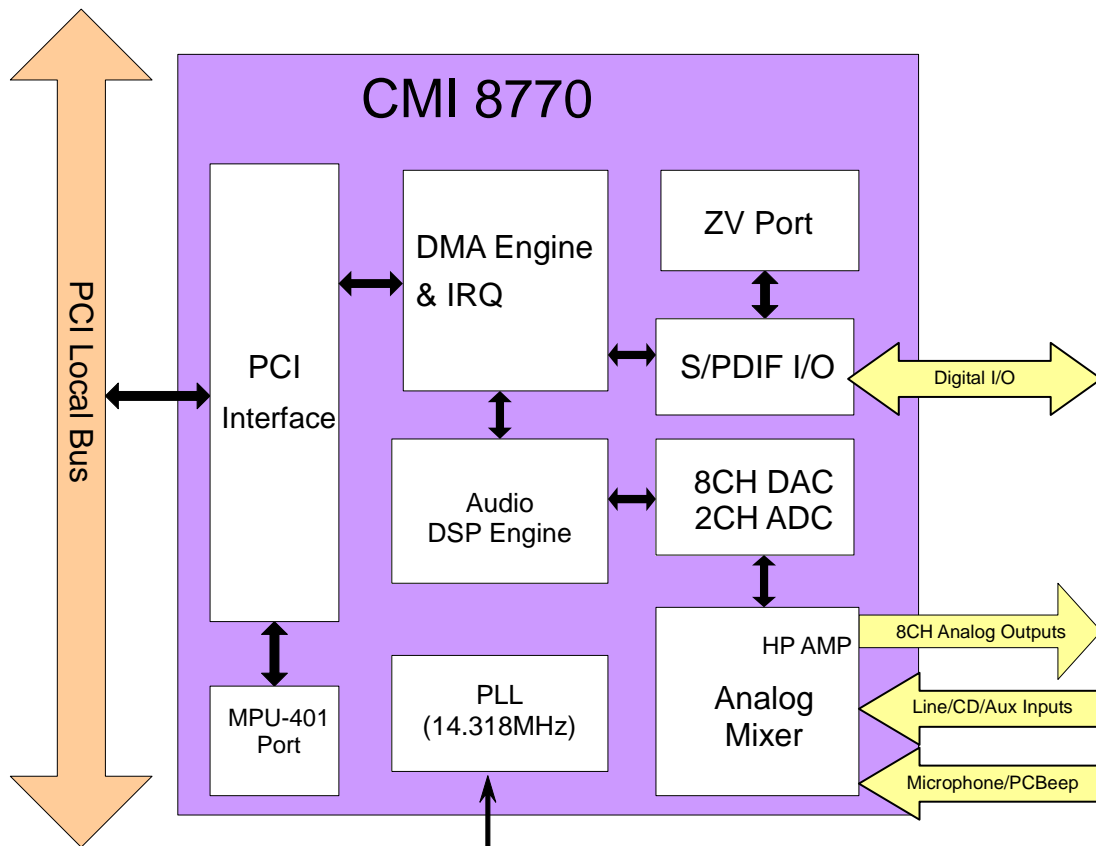
PCI 8CH Integrated Sound Chip



Yahoo,...), online games, messenger, and Internet DJ/broadcasting applications

- Unique Karaoke functionality: Mic Echo, Key-shifting, Vocal Cancellation
- Supports most industrial standards of PC 3D sound for gaming, including EAX™ 1.0&2.0, and DirectSound™ 3 SW
- 10-band Equalizer with 12 preset modes; 27 global environment effects
- Support 7.1 CH digital audio playback for Vista , WinXP, Win2000(Microsoft® DirectX V.9.0 above is required)
- WinCE driver and Linux OSS driver available

3. Block Diagram



CMI8770

PCI 8CH Integrated Sound Chip



4. Pin Assignment



5. Pin Description

5.1 Digital I/O

Pin No	Signal Name	Type	Description
1-2, 5-7, 12-16, 19-21, 32-35, 38-41, 43-44, 47-52, 126-128	XA31 - XA0	I/O	PCI bus address and data lines
117	XINTA	O	Interrupt request, active-low
119	XPRST	I	Reset
120	XCLK33	I	PCI bus clock
121	XGNT	I	Bus master grant, active-low.
122	XREQ	O	Bus master request, tri-state output, active-low.
9	XIDSEL	I	ID select, active-high. <i>(only work with A16-31 pin of host controller)</i>
23	XFRAME	I/O	Cycle frame, active-low.
24	XIRDY	I/O	Initiator ready, active-low. The bus master device is ready to transmit or receive data.
25	XTRDY	I/O	Target ready, active-low. The target device is ready to transmit or receive data.
26	XDEVSEL	I/O	Device select, active-low. The target device has decoded the address of the current transaction as its own chip select range.
29	XSTOP	I/O	Stop transaction, active-low. The target device request to the master to stop the current transaction.
30	XPAR	I/O	Parity. The pin indicates even parity across XA31-XA9 and XCBE3-XCBE0 for both address and data phases.
8, 22, 31, 42	XCBE0 - XCBE3	I/O	Multiplexed command / byte enable. These pins indicate cycle type during the address phase of a transaction.
88	XTXD	O	MIDI transmit data
89	XRXD	I	MIDI receive data
55	XIN	I	14.318 MHz crystal input or ext. oscillator input
56	XOUT	O	13.318 MHz crystal output or NC
87	XGBIO0	I/O	General purpose I/O
84	XEECS	O	EEPROM chip select
85	XMBCSZ	I	Audio chip enable select (low:enable)
112	ZVCLK	I	ZV port clock
98	XSPDIFO	O	S/PDIF output (5V)
86	XSPDIFI	I	S/PDIF input 1 / ZV port LR channel clock
113	XSPDIFI2	I	S/PDIF input 2 (TTL 5V) / ZV port data input

5.2 Analog I/O

Pin No	Signal Name	Type	Description
57,58	XSUROUTL-R	O	Back surround out L/R channel
59	EXTBASS	I	External bass input
62	XINTREF	O	Internal reference voltage (for testing purpose)
64,65	XADOUTL-R	O	Front out L/R channel
66,67	XADCFL-R	O	ADC S/H capacitors
68	XCNOUT	O	Center channel output
69	XBSOUT	O	Bass channel output
70	XCDGND	O	CD audio differential ground channel output
71,72	XCDL-R	I	CD audio differential L/R channel input
73,74	XREARL-R	O	Side surround out L/R channel
75,76	XLNL-R	I	Line-In L/R channel
77,78	XAUXL-R	I	Aux input L/R channel
79	XPCSPKIN	I	PC beep or mono input
80	XMIC	I	Microphone input

5.3 Power & Ground

Pin No	Signal Name	Type	Description
4, 10, 18, 27, 37, 45, 100, 124	VDDIO	I	PCI I/O power pin (3.3V)
54, 115	VDDCORE	I	Core logic power pin (3.3V)
83	VDD5V	I	PCI I/O power pin (5V)
3, 11, 17, 28, 36, 46, 53, 82, 99, 116, 125	GND	I	Digital ground
61, 81	AVDD	I	Analog I/O power pin
60, 82	AGND	I	Analog ground

CMI8770

PCI 8CH Integrated Sound Chip



5.4 NC

Pin No	Signal Name
63, 90-97, 101 - 111, 114, 118, 123	NC

6. Electrical Characteristics

6.1 Maximum Ratings

Parameter	Symbol	Min.	Max.	Unit
Digital power voltage	DVDD	3	3.6	V
Analog power voltage	AVDD	3	5.5	V
Digital Input Voltage	VIND	-0.5	3.6	V
Analog Input Voltage	VINA	-0.5	5.5	V
Operating temperature range	TO	0	70	°C
Storage temperature range	TST	-40	125	°C
Maximum power dissipation	PDMAX		300	MW

6.2 Recommended Operating Conditions

Parameter	Symbol	Min.	Typ.	Max.	Unit
Digital Operating Voltage	DVDD	3.135	3.3	3.465	V
Analog Operating voltage	AVDD	4.75	5	5.25	V
Operating Ambient Temperature	TO	0	25	70	°C

6.3 Power Consumption

Parameter	Min.	Typ.	Max.	Unit
Power Supply Current (Normal)				
AVDD (5.0V)	-	35	-	mA
DVDD (3.3V)	-	10	-	mA

6.4 Digital Characteristics

PARAMETER	Symbol	Condition	Min.	Typ.	Max.	Unit
Input high voltage(PCI I/O)	VIH		2.0	-	VDD+0.3	V
Input low voltage (PCI I/O)	VIL		-0.5	-	0.8	V
Output high voltage	VOH	IOH=1.5mA	2.4	-	VDD	V
Output low voltage	VOL	IOL=-0.5mA	0.0	0.2	0.4	V
Input Leakage Current	IIL	0<Vin<VDD	-70	-	70	μ A
Output Leakage Current	IOL		-70	-	70	μ A
SPDIF IN input high voltage	VIH1		2.6	-	-	V
SPDIF IN input low voltage	VIL1		-	-	2.4	V
SPDIF output high voltage	VOH1		-	VDD5V	-	V
SPDIF output low voltage	VOL1		-	GND	-	V
Input Pin Capacitance	Cin		-	-	10	pF
Pin Inductance	Lpin		-	-	20	nH

6.5 AC Characteristics

Parameter	Symbol	Condition	Min.	Max.	Units
High Clamp Current	Ich	Vdd+4>Vin>=Vdd+1	25+(Vin-Vdd-1)/0.015	-	mA
Low Clamp Current	Icl	-3<Vin<=-1	-25+(Vin+1)/0.015	-	mA
Output Rise Slew Rate	SLEWr	0.2Vdd-0.6Vdd load	1	4	V/ns
Output Fall Slew Rate	SLEWf	0.6Vdd-0.2Vdd load	1	4	V/ns

6.6 Analog Performance

The measurements are performed under the circumstance as:

Tambient = 25°C, AVdd = 5.0V ± 5%, DVdd = 3.3V ± 5%, 10kΩ /50pF external load. Input is 1 kHz sine wave;

Sampling frequency = 48 kHz; Bandwidth = 20 to 20 kHz; 0dB attenuation; All sound effects such as 3D effects are disabled.

Parameter	Minimum	Typical	Maximum	Units
Full Scale Input Voltage:	-	1.1	1.25	Vrms
Line Inputs (Mixer)	-	-	1.25	Vrms
Line Inputs (A/D)	-	0.1	1.25	Vrms
Mic Inputs (20dB boost)	-	-	-	-
Full Scale Output Voltage:	-	1.1	-	Vrms
Front_Out	-	1.1	-	Vrms
Side_Surround_Out	-	1.1	-	Vrms
Center / LFE_out	-	1.1	-	Vrms
Back_Surround_Out	-	-	-	-
SNR (Idle)	-	100	-	-
A/A	-	101	-	dB
D/A	-	86	-	dB
A/D	-	-	-	-
Dynamic Range (-60dB)	-	100	-	dB
A/A	-	94	-	dB
D/A	-	85	-	dB
A/D	-	-	-	-
THD+N	-	0.005	-	%
A/A	-	0.017	-	%
D/A	-	0.015	-	%
A/D	-	-	-	-
Frequency Response	5	-	22,000	Hz
A/A	5	-	22,000	Hz
D/A	10	-	22,000	Hz
A/D	-	-	-	-
Cross-talk @ 10KHz (A/A)	-	100	-	dB
Transition Band	19,200	-	28,800	Hz
Stop Band	28,800	-	∞	Hz
Stop Band Rejection	-	-70	-	dB
Out-Of-Band Rejection	-	-65	-	dB
Power Supply Rejection Ratio	-	-65	-	dB

CMI8770

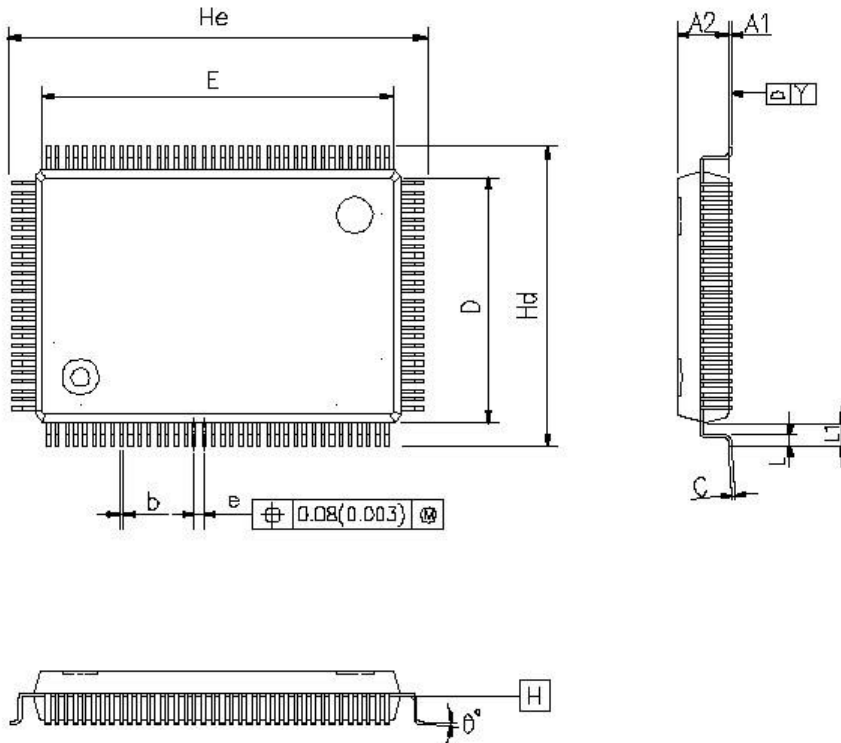
PCI 8CH Integrated Sound Chip



Parameter	Minimum	Typical	Maximum	Units
Master Volume Gain (32 steps)				
Step Size	-54	1.5	+6	dB
Control Range		-		dB
Analog Input Gain (16 steps)				
Step Size	-30	2	0	dB
Control Range		-		dB
Mic Input Gain (16 steps)				
Step Size	-22	3	+24	dB
Control Range		-		dB
Mic Boost Gain	-	+20	-	dB
PCSPK Input Gain (4 steps)				
Step Size	-24	8	0	dB
Control Range		-		dB
Recording Gain (16 steps)				
Step Size	0	1.5	+22.5	dB
Control Range		-		dB
Input Impedance				
Line-In, CD, Aux, PCSPK	-	60	-	K Ω
Mic (w/o Boost)	-	30	-	K Ω
Mic (w/ Boost)	-	10	-	K Ω
Output Impedance				
Amplifier Output	-	2	-	Ω
Non-amp Output	-	200	-	Ω
Output Power				
Line-Out (Front) @32 Ω Load	-	50	-	mW
Line-Out (Front) @10K Ω Load	-	0.16	-	mW
Vrefout	-	2.25	-	V

7. Mechanical Dimensions

QFP-128



Symbols	Min.	Typ.	Max.	Notes
A1	0.25	0.35	0.45	1. Jedec outline : N/A 2. Datum plane $\square H$ is located at the bottom of the mold parting line coincident with where the lead exits the body. 3. Dimensions E and D do not include mold protrusion. Allowable protrusion is 0.25 mm per side. Dimensions E and D do include mold mismatch and are determined at datum plane $\square H$. 4. Dimension b does not include dambar protrusion.
A2	2.57	2.72	2.87	
b	0.10	0.20	0.30	
C	0.10	0.15	0.20	
D	13.90	14.00	14.10	
E	19.90	20.00	20.10	
e	-	0.50	-	
Hd	17.00	17.20	17.40	
He	23.00	23.20	23.40	
L	0.65	0.80	0.95	
L1	-	1.60	-	
Y	-	-	0.08	
θ°	0	-	12	

Unit : mm

CMI8770

PCI 8CH Integrated Sound Chip



— End of Specifications —

C-MEDIA ELECTRONICS INC.

6F., 100, Sec. 4, Civil Boulevard, Taipei, Taiwan 106 R.O.C.

TEL : +886-2-8773-1100

FAX : +886-2-8773-2211

E-MAIL : sales@cmedia.com.tw

Disclaimer:

Information furnished by C-Media Electronics Inc. is believed to be accurate and reliable. However, no responsibility is assumed by C-Media Electronics Inc. for its use, nor for any infringements of patents or other rights of third parties that may result from its use. Specifications subject to change without notice. No license is granted by implication or otherwise under any patent or patent rights of C-Media. Trademark and registered trademark are the property of their respective owners.